

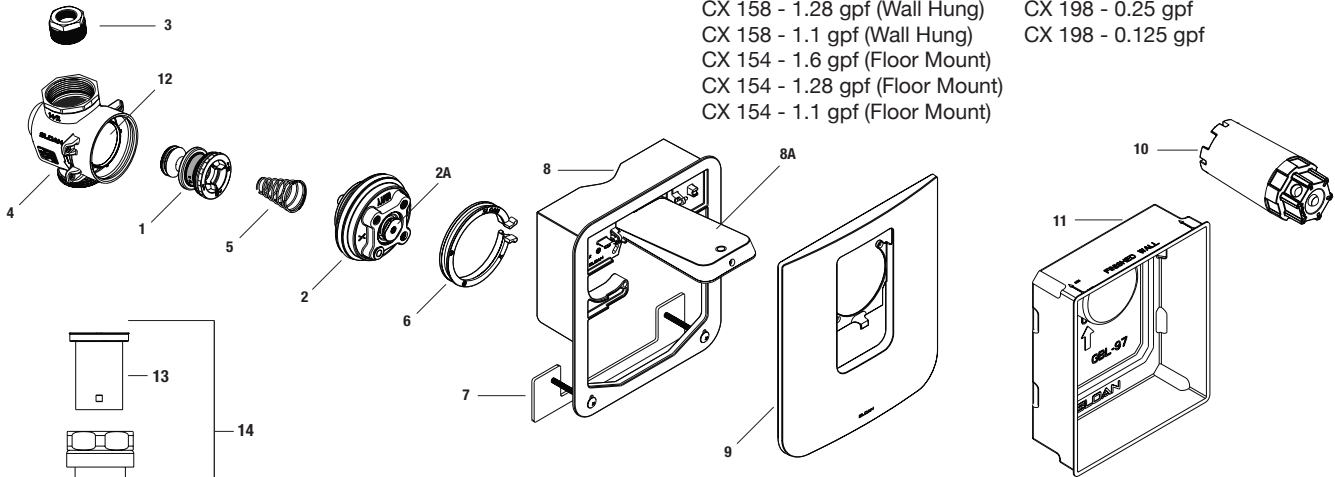
Sloan CX Manual Flushometer

Manual Closet Flushometers

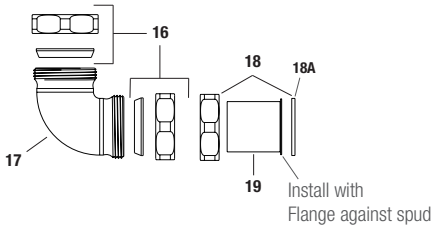
- CX 158 - 1.6 gpf (Wall Hung)
- CX 158 - 1.28 gpf (Wall Hung)
- CX 158 - 1.1 gpf (Wall Hung)
- CX 154 - 1.6 gpf (Floor Mount)
- CX 154 - 1.28 gpf (Floor Mount)
- CX 154 - 1.1 gpf (Floor Mount)

Manual Urinal Flushometers

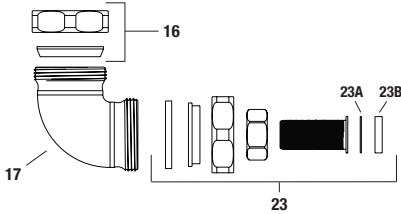
- CX 198 - 0.5 gpf
- CX 198 - 0.25 gpf
- CX 198 - 0.125 gpf



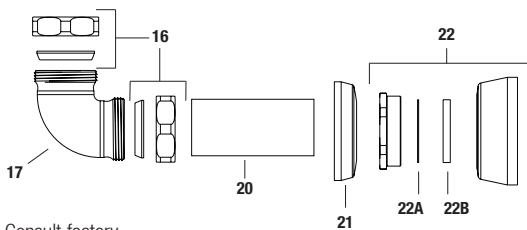
For Model 158, Wall Hung



For Model 198, Urinals



For Model 154, Floor Mount Exposed Rear Inlet



* Consult factory

** Consult factory for alternate finish options

The information contained in this document is subject to change without notice.

PARTS LIST			
Item No.	Code No.	Part No.	Description
1.	See table on next page		Piston Assembly
2.	See table on next page		Activation Assembly
2A.	3340018	GBL-1018-A	Manual Plunger Assembly Repair Kit
3.	0340062	GBL-56	Inlet Adapter 1-1/2" NPT x 1" NPT Closet
	0340063	GBL-171	Inlet Adapter 1-1/2" NPT x 3/4" NPT Urinal
4.	—	—	Valve Body*
5.	—	—	Conical Spring**
6.	3340011	GBL-1011-A	Safety Collar (Collar for Bonnet)
7.	33400011	GBL-214-A	C-Bracket Kit with Screws
8.	—	—	Manual CX Wall Bracket*
8A.	See table on next page		Manual CX Button Only
9.	See table on next page		Manual CX Finished Wall Plate
10.	03340012	GBL-1012-A	Activation Assembly Tool
11.	33400033	GBL-1060-A	Manual CX Mud Guard (4 pack)
12.	0340085	GBL-66-A	Shut Off Sleeve (with O-Ring)
* Not sold separately. ** Included with Piston			
FLUSH CONNECTION PARTS			
Item No.	Code No.	Part No.	Description
13.	3323182	V-651	Vacuum Breaker Kit
14.	0323011	V-500-A	RB Vacuum Breaker Assembly
15.	33060011	F-227-A	Adjustable Tube 6.5" Replacement Kit, 158, 198
	33060012	F-228-A	Adjustable Tube 10.5" Replacement Kit, 154
16.	0306395	F-211-A	CX Poly Washer and Coupling (set of 2)
17.	0306392PK	F-305	CX Elbow for CX Poly Washer
18.	0306091	F-2-A	1-1/2" Coupling with S-21 Gasket
18A.	0319079	S-21	Rigid Gasket
19.	0306031PK	F-1	1-1/2" x 6" Tube
20.	0396119PK	F-101	CP Tube Outlet 1-1/2" x 10-1/2"
21.	0306237PK	F-7	Tube Flange 1-1/2" x 2-3/4" with Prongs

Sloan CX Manual Flushometer

FLUSH CONNECTION PARTS CONTINUED

Item No.	Code No.	Part No.	Description
22	0306146PK	F-5-A	1-1/2" Spud Coupling Assembly CP*
22A	5306058	F-3	Friction Ring 1-1/2"
22B	5322001	VBF-5	Slip Joint Gasket 1-1/2"
23	0306396	—	CX Urinal Flush Connection Kit
23A	5306055	F-3	Red Friction Ring 3/4"
23B	5306113	F-5	Gasket 3/4"

ITEM NO. 1 - MANUAL PISTON ASSEMBLY SELECTION GUIDE

Code No.	Part No.	Description	Piston Color*
3340053	GBL-1037-A	1.6 gpf/6.0 Lpf Closet Piston Assembly	Green
3340054	GBL-1038-A	1.28 gpf/4.8 Lpf Closet Piston Assembly	Purple/Black
33400059	GBL-1087-A	1.1 gpf/4.2 Lpf Closet Piston Assembly	Grey/Black
3340055	GBL-1039-A	0.5 gpf/1.9 Lpf Urinal Piston Assembly	Red
3340056	GBL-1040-A	0.25 gpf/1.0 Lpf Urinal Piston Assembly	Burgundy
33400004	—	0.125 gpf/0.48 Lpf Urinal Piston Assembly†	Pink

* Colors may differ. Consult factory to confirm you have the correct assembly. † 0.125 gpf/0.48 Lpf Valve Components (Piston, Main Seat, and Activation Assembly) are NOT interchangeable with any other flush volume Valves.

IMPORTANT NOTE FOR 1.1 GPF FLUSHOMETERS & REPLACEMENT KITS

Sloan 1.1 gpf/4.2 Lpf ultra-high efficiency flushometers meets all applicable standards and requirements. However, with low flush volumes it is imperative that they only be used in conjunction with toilet fixtures and drain line systems designed to operate with adequate flow rates and volumes in order to effectively eliminate waste and move it out of the building. It is the responsibility of the user to ensure both of these conditions are met. Not doing so may void your warranty.

Sloan 1.1 gpf diaphragm and piston kits are designed as a replacement part for Sloan 1.1 gpf/4.2 Lpf flushometers only. They are not intended to be used as a means to reduce water consumption in flushometers with higher flush volumes such as 1.28 gpf/4.8 Lpf or 1.6 gpf/6.0 Lpf or higher. Using this kit in any manner other than with a Sloan 1.1 gpf flushometer may void your warranty.

ITEM NO. 1 - MANUAL PISTON IDENTIFICATION CHART

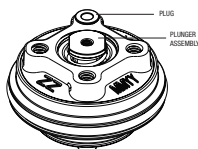
Flush Volume	1.6 gpf Water Closet	1.28 gpf Water Closet	1.1 gpf Water Closet	0.5 gpf Urinal	0.25 gpf Urinal	0.125 gpf Urinal
Piston Body	Green	Purple	Grey	Red	Burgundy	Pink
Flow Control	Green	Black Cage	Black Cage	Red	Burgundy	Pink
Part Number	GBL-1037-A	GBL-1038-A	GBL-1087-A	GBL-1039-A	GBL-1040-A	—
Code Number	3340053	3340054	33400059	3340055	3340056	33400004

ITEM NO. 2 - ACTIVATION ASSEMBLY SELECTION GUIDE

Code No.	Part No.	Description	Plug Color*
3340048	GBL-1033-A	1.6 gpf/6.0 Lpf Closet Activation Assembly	Green
3340049	GBL-1034-A	1.28 gpf/4.8 Lpf Closet Activation Assembly	Purple
33400057	GBL-1091-A	1.1 gpf/4.2 Lpf Closet Activation Assembly	Grey
3340051	GBL-1035-A	0.5 gpf/1.9 Lpf Urinal Activation Assembly	Red
3340052	GBL-1036-A	0.25 gpf/1.0 Lpf Urinal Activation Assembly	Burgundy
33400005	—	0.125 gpf/0.48 Lpf Urinal Activation Assembly	N/A; Nickel plated brass

* Colors may differ. Consult factory to confirm you have the correct Activation Assembly.

† 0.125 gpf/0.48 Lpf Valve Components (Piston, Main Seat, and Activation Assembly) are NOT interchangeable with any other flush volume Valves.



ADDITIONAL PARTS

Code No.	Part No.	Description
—	F-304	Poly Washer 1-1/2" (Only available in F-211-A, Item 16)
33400008	GBL-212-A	Plunger Screw Kit (screws, wrench, nut, and gauge)
33400012	GBL-215-A	Manual Wall Bracket Mounting Screws (Wall Bracket to Valve, Finished Plate to Wall Bracket)
33400014	GBL-1045-A	Manual CX Finished Wall Plate and Button Assembly, SF†
33400015	GBL-1046-A	Manual CX Finished Wall Plate and Button Assembly, CP†
33400016	GBL-1047-A	Manual CX Finished Wall Plate and Button Assembly, BN†
33400017	GBL-1048-A	Manual CX Finished Wall Plate and Button Assembly, PB†
33400018	GBL-1049-A	Manual CX Finished Wall Plate and Button Assembly, GR†
33400039	GBL-1064-A	Manual CX Button Only Replacement Kit, SF
33400041	GBL-1065-A	Manual CX Button Only Replacement Kit, CP
33400042	GBL-1066-A	Manual CX Button Only Replacement Kit, BN
33400043	GBL-1067-A	Manual CX Button Only Replacement Kit, PB
33400044	GBL-1068-A	Manual CX Button Only Replacement Kit, GR

† Includes mounting screws and wrench.

Sloan CX Manual Flushometer

TROUBLESHOOTING GUIDE

1. Flushometer Does Not Function (No Water/Flush).

- A. Ensure water supply to Valve is turned on.
- B. Shut Off Sleeve is in closed position. Turn counter-clockwise to open water flow. **Note:** there is approximately 1/8-turn (45°) of free spinning as the Activation Assembly engages the Shut Off Sleeve between opening and closing the Valve.
- C. Plunger screw is not adjusted properly. Adjust screw using depth guide.

2. Volume Of Water Is Not Sufficient To Evacuate The Bowl.

- A. Plunger screw is not adjusted properly (short button engagement of plunger). Adjust screw using depth guide tool.
- B. Insufficient flow pressure. Readjust Activation Assembly by turning counter-clockwise to increase flow pressure.
- C. Water supply pressure is inadequate (low). Increase the water supply pressure. Contact the fixture manufacturer for minimum water supply requirements of the fixture.
- D. Wrong model installed; i.e., 0.5 gpf/1.9 Lpf urinal installed on a 1.6 gpf/6.0 Lpf closet fixture. Replace with proper model.
- E. Check lip seal for wear. Replace Piston if lip seal is worn or twisted.

3. Too Much Water To Fixture.

- A. Excessive flow pressure. Readjust Activation Assembly by turning clockwise to decrease flow pressure.
- B. Long Flush. Worn Piston; replace with new proper gpf/Lpf Piston.
- C. Wrong model installed; i.e., 1.6 gpf/6.0 Lpf model installed on 0.5 gpf/1.9 Lpf or 0.25 gpf/1.0 Lpf urinal fixture. Replace with proper model per guide.

4. Valve Does Not Shut Off.

- A. Plunger screw is not adjusted properly (constant contact on plunger). Adjust screw using depth guide tool.
- B. Supply line water pressure has dropped and is not sufficient to close the valve. Close Activation Assembly until pressure is restored.
- C. Piston Bypass is clogged, Piston is damaged, or large debris stuck behind Piston. Turn off water at Shut Off Sleeve, release pressure, remove Safety Collar and Activation Assembly. Remove Piston and check inside Valve for large debris. Replace Piston if damaged or cleaning does not correct the problem.

5. Leaking at Plunger.

- A. Seal worn. Replace Activation Assembly.

6. Chirping Noise Is Heard At Start Or End Of Flush.

- A. Caused by air purging from the system inside the Valve Assembly. Noise will subside with several flushes or within a day.

CARE AND CLEANING

DO NOT USE abrasive or chemical cleaners (including chlorine bleach) to clean Flushometers that may dull the luster and attack the chrome or special decorative finishes. Use mild soap and water, then wipe dry with a clean soft cloth or towel. If using a cleaner in a spray bottle, **DO NOT** spray directly onto the Flushometer, instead spray cleaner into a clean cloth and then wipe down the Flushometer.

While cleaning surrounding bathroom tile, protect the Flushometer from any splattering of cleaner. Acids and abrasive cleaning fluids will discolor or remove chrome plating.

When assistance is required, please contact Sloan Technical Support at 1.888.SLOAN.14 (1.888.756-2614).

