

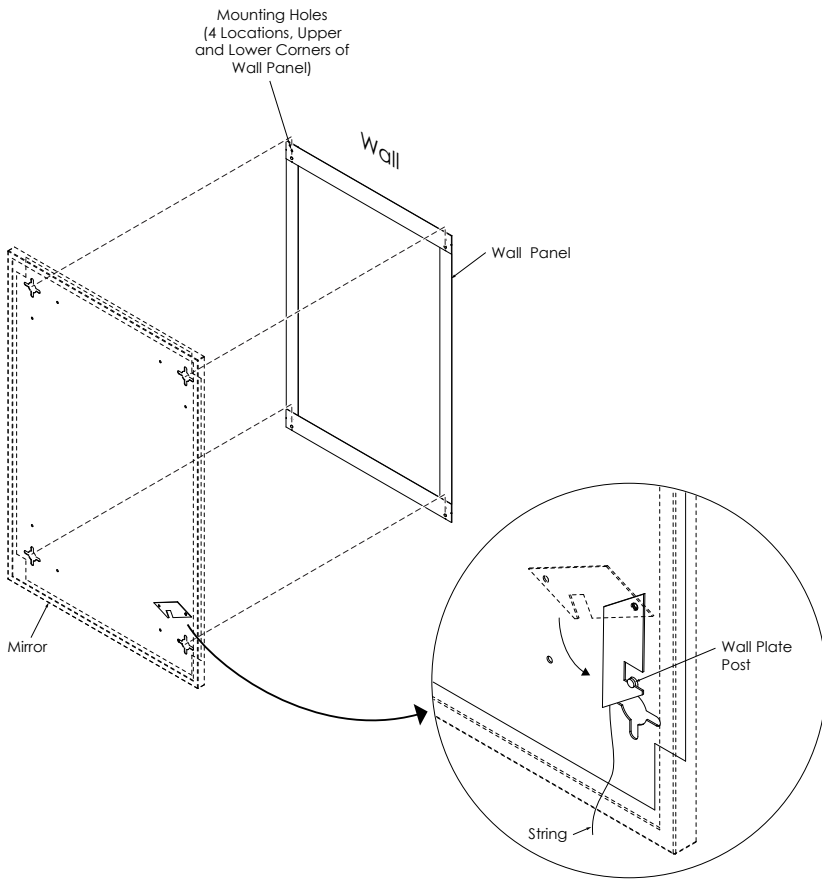
**PRIOR TO INSTALLATION**

**CAUTION**

- ADEQUATE STRUCTURAL SUPPORT IN OR BEHIND THE WALL IS REQUIRED.
- APPROPRIATE FASTENERS MUST BE USED TO SECURE MIRROR TO WALL.

**Installation Instructions**

1. Remove the mirror from the wall panel.
  - a. Gently move the mirror off the wall panel posts.
2. Install Mirror Wall Panel using the pre-drilled mounting holes.
  - a. Position and level the mirror wall panel on the wall.
  - b. Use mounting fasteners, secure the mirror wall panel to the wall.
3. Install Mirror onto Mirror Wall Panel.
  - a. Position mirror so the four holes on the back of the mirror line up with the 4 posts on the wall panel.
  - b. Slide the mirror down until secure on the posts.
4. Lock the mirror in place.
  - a. Pull down on the security string to lock the mirror in place. You may cut the string or wedge the string behind the mirror when complete.
  - b. Reverse this action to unlock the mirror for removal from the wall panel.



**Care and Cleaning**

Using a Damp, lint free, cloth gently clean surface area. DO NOT use chlorine base, chemical glass cleaners or abrasive material on mirror. Use of inappropriate cleaners will void all warranties and guarantees. Do not spray cleaners onto mirror, use a lint free cloth.

**Sloan® Limited Warranty Summary**

Sloan Valve Company ("Sloan"), warrants its products against defects in materials and workmanship, excluding damage caused by matters beyond Sloan's reasonable control. Instructions for filing claims can be found in the Limited Warranty which can be obtained at [www.sloan.com](http://www.sloan.com) or by requesting a free copy by telephone at 888.756.2614. Sloan will repair or replace your defective product, or provide a refund, as your exclusive remedy. This is only a general summary of Sloan's Limited Warranty so it is important to note that the specific terms, conditions, limitations and exclusions, including the duration of warranty coverage for your particular Sloan product, are contained in the actual Sloan Limited Warranty. The Limited Warranty is subject to applicable laws in your country, state, province or other jurisdiction—and disputes arising under the Limited Warranty are to be resolved by binding arbitration unless you provide Sloan with an opt-out notice no later than 30 days after your purchase date. In case of a conflict with this summary, the terms and conditions set forth in the complete Limited Warranty will prevail.