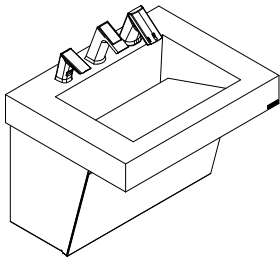


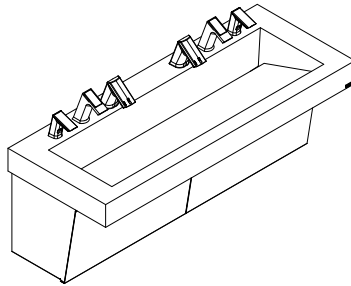
Water Connects Us®

AER-DEC®-80000 Integrated Sink System

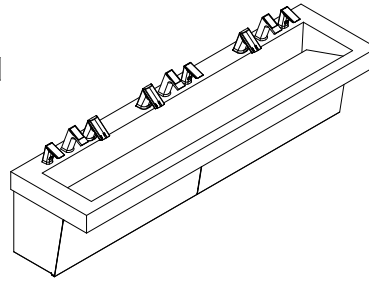
One, Two, Three, and Four Station Corian® or Quartz Lavatory Systems



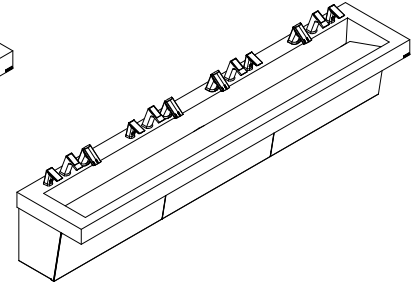
AD-81000
Deck Sink Lavatory System



AD-82000
Deck Sink Lavatory System



AD-83000
Deck Sink Lavatory System



AD-84000
Deck Sink Lavatory System

Notes:

- Caution:** These instructions are for standard, continuous basin designs only, for individual basin or other customization refer to the provided custom installation instructions for rough-in information.
- Components shown are for reference only and may not depict actual customer components.



Important



Read this entire installation manual to ensure proper installation. When finished with the installation, file this manual with the owner or maintenance department. Compliance and conformity to local codes and ordinances is the responsibility of the installers.



Separate parts from packaging and make sure all parts are accounted for before discarding any packaging material. If any parts are missing, do not begin installation until all parts are obtained.



Make sure that all water supply lines have been flushed and completely turned off before starting the installation. Debris in supply lines can cause valves to malfunction.



Turn off electrical power to the electrical outlets, then unplug units prior to installation. Electrical power **MUST** remain off until installation is complete.



Installers hardware must be appropriate for wall construction. Wall anchors and mounting fasteners **MUST** have a minimum pull-out rating of 1,000 lbs.



For standard height mounting, **DO NOT** exceed the recommended 34 inch distance from the top of the lav deck to the finished floor. To meet ADA requirements the lav deck cannot not exceed the 34 inch maximum height dimension.

Tools and Supplies Required for Installation

- Electric drill for drilling anchor holes.
- Standard sockets, basin wrench, and open end wrench set for installing anchoring fasteners and faucets.
- Pipe wrench for installing drain lines.
- Phillips and straight blade screwdrivers.
- Tubing cutter
- Level
- Carpenter's square
- Caulk gun
- 1/2" NPT hot/cold or tempered supply piping
- 1 1/2" NPT drain piping including p-trap
- Adhesive: Loctite® PL Premium® FAST GRAB Polyurethane Construction Adhesive
- 110 volt GFCI protected electrical outlet for 100-120 VAC plug-in transformer
- Screen filter(s) included with faucet(s)
- Backing supplied by others to meet local codes

Prior to Installation

CAUTION

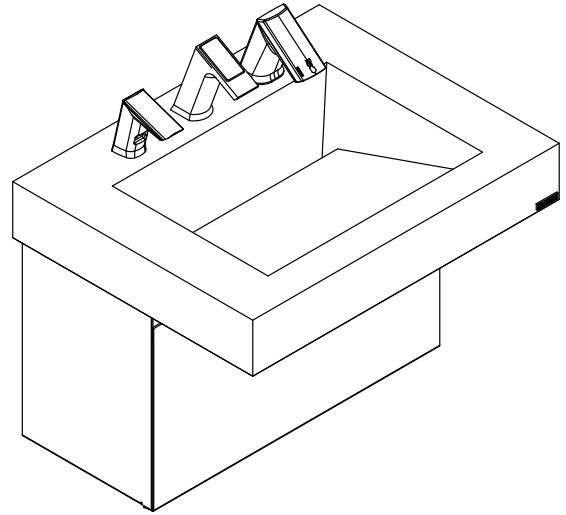
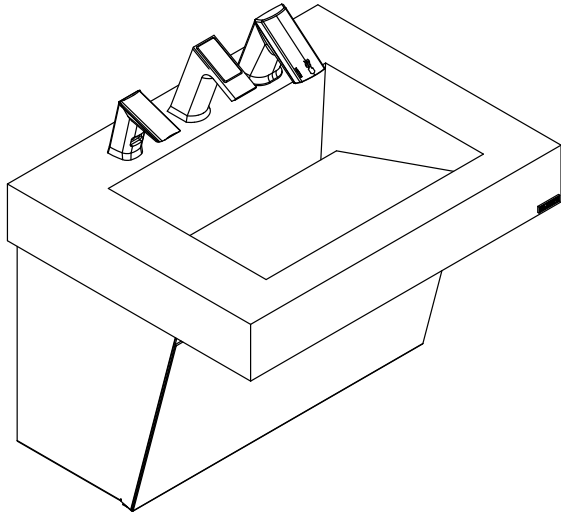
- ADEQUATE STRUCTURAL SUPPORT IN OR BEHIND THE WALL IS REQUIRED.
- ALL ELECTRICAL WIRING IS TO BE INSTALLED IN ACCORDANCE WITH NATIONAL/LOCAL CODES AND REGULATIONS. ELECTRICAL OUTLETS SHOULD BE RECESSED AND INSTALLED PRIOR TO INSTALLATION.
- ALL PLUMBING SHOULD BE INSTALLED IN ACCORDANCE WITH APPLICABLE CODES AND REGULATIONS.
- BEFORE CONNECTING FLEX HOSES TO SUPPLY STOPS, FLUSH ALL WATER LINES UNTIL WATER IS CLEAR.
- HOT AND COLD WATER SUPPLY LINES/TEMPERED SUPPLY LINE AND DRAIN LINES. RECOMMENDED TO HAVE CONTROL STOPS ON WATER SUPPLY LINES IN PLACE PRIOR TO INSTALLATION.

Sloan® Limited Warranty Summary

Sloan Valve Company ("Sloan"), warrants its products against defects in materials and workmanship, excluding damage caused by matters beyond Sloan's reasonable control. Instructions for filing claims can be found in the Limited Warranty which can be obtained at www.sloan.com or by requesting a free copy by telephone at 888.756.2614. Sloan will repair or replace your defective product, or provide a refund, as your exclusive remedy. This is only a general summary of Sloan's Limited Warranty so it is important to note that the specific terms, conditions, limitations and exclusions, including the duration of warranty coverage for your particular Sloan product, are contained in the actual Sloan Limited Warranty. The Limited Warranty is subject to applicable laws in your country, state, province or other jurisdiction—and disputes arising under the Limited Warranty are to be resolved by binding arbitration unless you provide Sloan with an opt-out notice no later than 30 days after your purchase date. In case of a conflict with this summary, the terms and conditions set forth in the complete Limited Warranty will prevail.

AER-DEC®-81000 Integrated Sink System

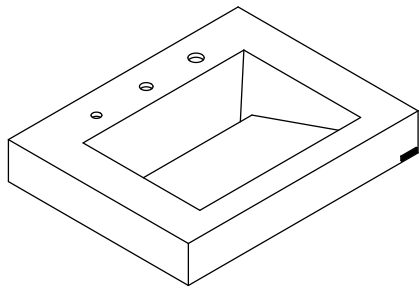
One Station Corian® or Quartz Lavatory Systems



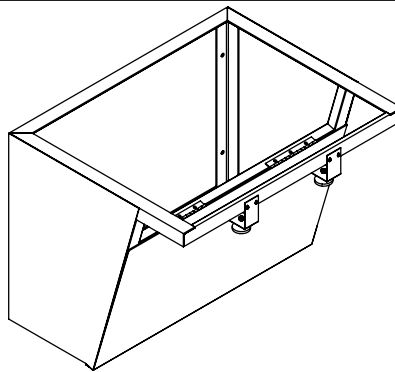
Sink Location

Determine the appropriate wall location for the Lavatory System. Refer to original spec sheets for correct placement of electrical and plumbing locations. If wall is not load bearing, a carrier may be required behind the wall. Refer to the appropriate Rough-In diagram for Lavatory System dimensions. Prior to Lavatory System installation, electric wiring, water supply and drain must be installed.

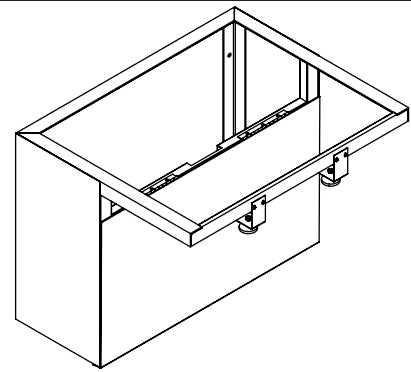
AER-DEC® One Station Components



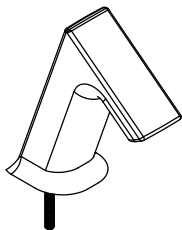
1) AD-81000 Deck



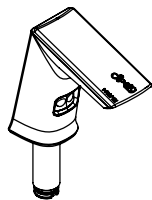
2a) Angled Enclosure



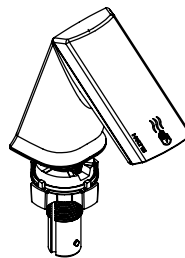
2b) Vertical Enclosure



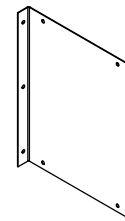
3) EFX Series Faucet



4) ESD 500 Soap Dispenser



5) Basys Style Hand Dryer



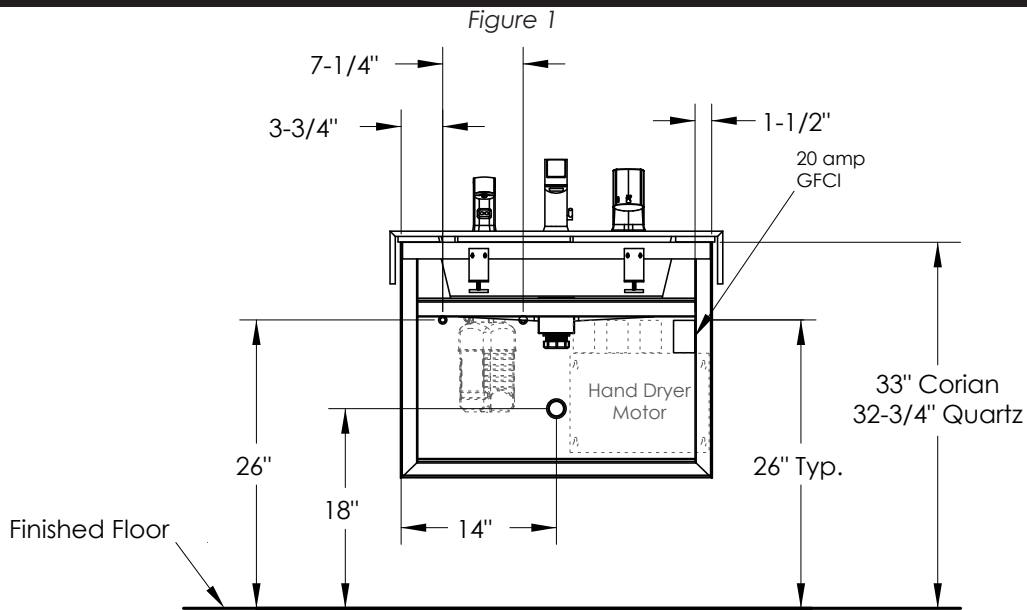
6) Hand Dryer Bracket
(Vertical Enclosure Only)

AER-DEC® One Station Component List

| Description | Item Number | Quantity |
|--|-------------|----------|
| AER-DEC®, One Station, Integrated Deck | 1 | 1 |
| Angled Enclosure with Hold Open Door | 2a | 1 |
| Vertical Enclosure with Hold Open Door | 2b | 1 |
| EFX Series Faucet | 3 | 1 |
| Basys Style ESD 500 Soap Dispenser | 4 | 1 |
| Basys Style Hand Dryer | 5 | 1 |
| Hand Dryer Bracket | 6 | 1 |

Note: Hand Dryer Motor must be rotated 90° for installation into a standard vertical enclosure.

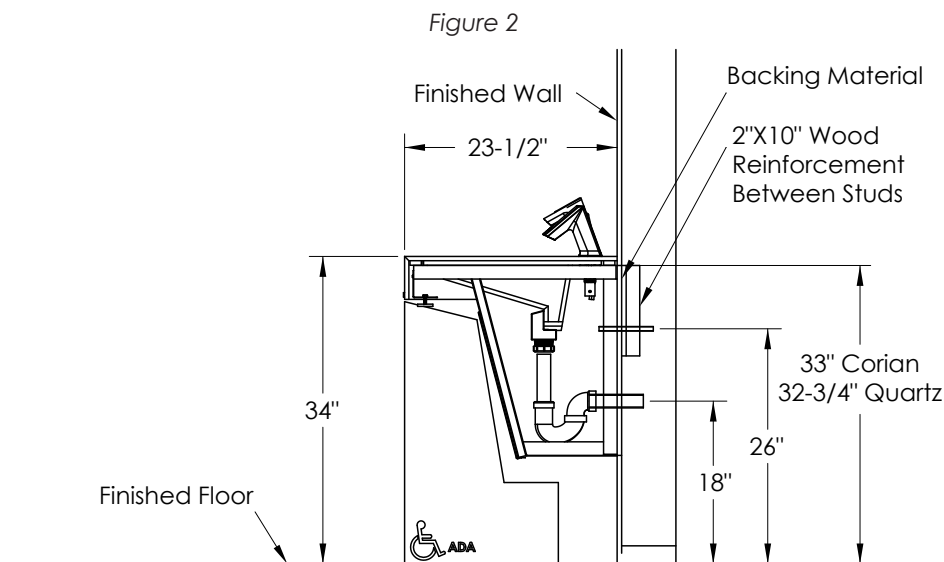
Rough-In (One Station); Plumbing and Electrical, Front View



Notes:

- Plumbing and electrical are shown for reference only and may need to be adjusted to accommodate the physical environment and under sink components.
- Hot and cold-water supply line location subject to local codes.
- Hand Dryer Motor alone, without heater option activated, is only 500 watts or less with speed control.
- Hand Dryer with Heater requires 1500 watts or less with speed control.
- Each Hand Dryer Motor must be plugged into a dedicated 20 amp GFCI safety circuit. 20 amp electrical cutout shown as solid lines.
- Other electrical cutouts (dotted lines) are shown for reference only, to allow for multiple 15 amp (or less) plug-in components. The number of circuits required will vary depending on the quantity of outlets needed to support the electrical requirements of these components.
- Cut backing to allow for electrical and plumbing components.
- Electrical boxes need to be flush mounted to backing material, to allow for plumbing and component clearance.

Rough-In (One Station); Section View

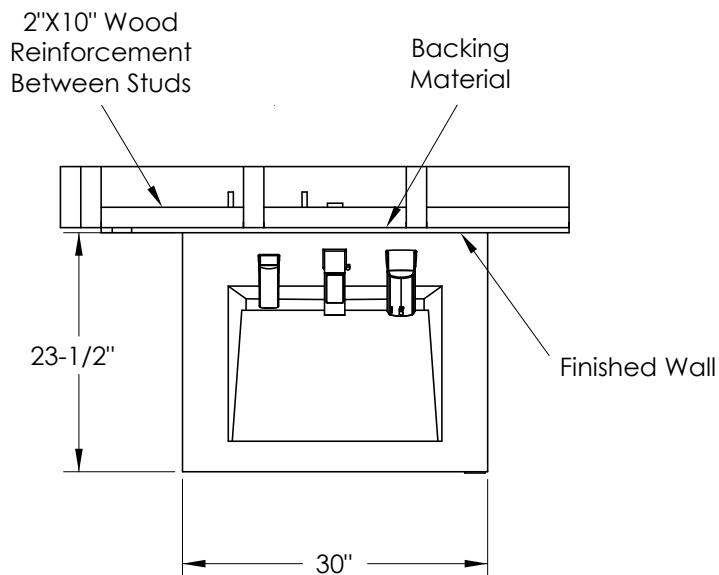


Notes:

- Backing material should equal thickness of drywall, 1/2" min.
- Angled enclosure shown, rough-in dimensions for vertical enclosure are the same.

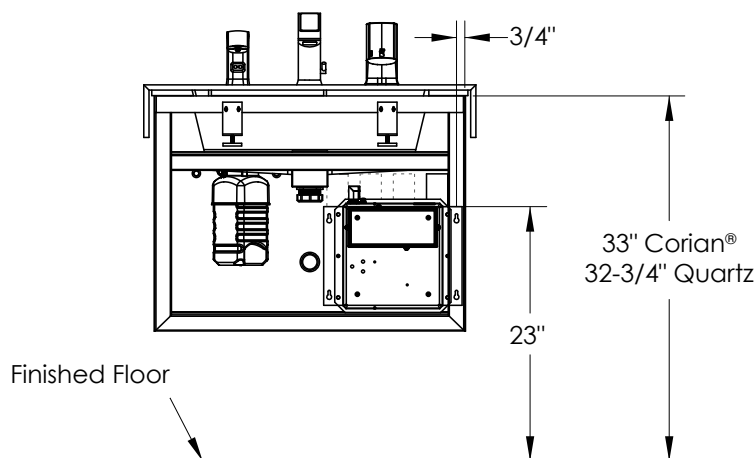
Rough-In (One Station); Plan View

Figure 3



Rough-In (One Station); Component Locations, Front View

Figure 4

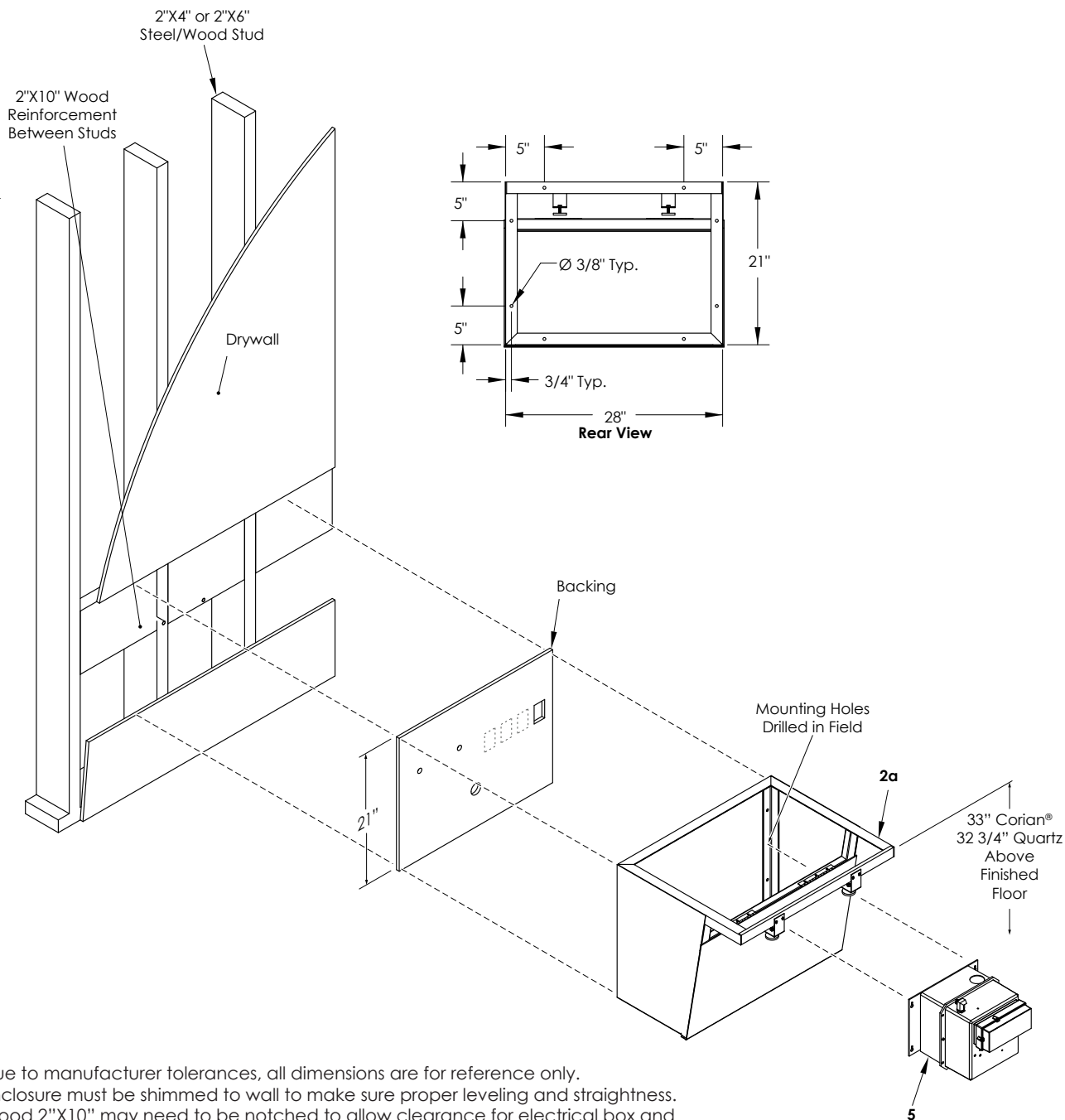


Notes:

- Mount hand dryer motor and soap reservoir to specified locations.
- For One Station, Angled Enclosure, the Hand Dryer Motor must be installed onto the rear angle iron, after the enclosure has been mounted. Mounting holes must be drilled in the field.
- For Vertical Enclosures the Hand Dryer Motor must be rotated 90° and mounted to the Hand Dryer Bracket. Hand Dryer Bracket is mounted to the rear angle iron of the enclosure.

Backing and Angled Enclosure Installation (One Station)

Figure 5



Notes:

- Due to manufacturer tolerances, all dimensions are for reference only.
- Enclosure must be shimmed to wall to make sure proper leveling and straightness.
- Wood 2"X10" may need to be notched to allow clearance for electrical box and plumbing. DO NOT cut wall support studs.
- Enclosure must be installed prior to the installation of the Hand Dryer Motor.
- The Hand Dryer Motor shall be mounted to the rear angle iron of the enclosure.
- Mounting holes to be drilled in the field.
- Do not install lower enclosure mounting bolt if there is interference with the hand dryer.

3. Install Backing (Figure 5) onto wall studs.

Note: Backing supplied by others to meet local codes.

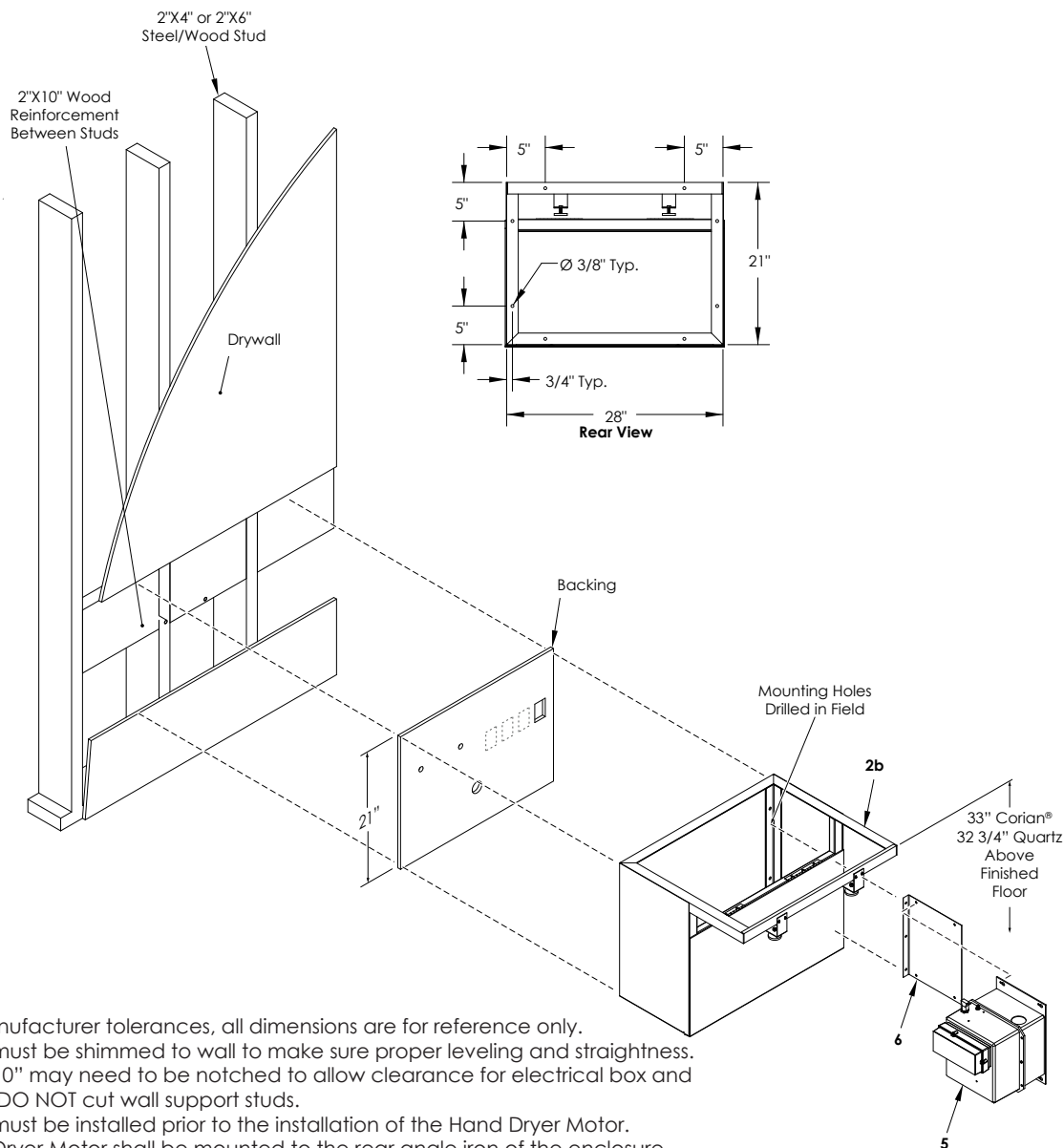
- a. If drywall is present, measure outside of Angled Enclosure (2a) and cut out drywall window.
- b. Remove drywall window.
- c. Pre-drill/cut holes for plumbing and electrical.
- d. Install backing into cutout drywall window.

4. Refer to the template in (Figure 5), mount the Angled Enclosure (2a) to the backing. Make Sure that Angled Enclosure (2a) is level and the proper distance from the floor.

Note: Holes must be drilled in the field. Refer to rough-in, in Figure 4 on page 4.

Backing and Vertical Enclosure Installation (One Station)

Figure 6



Notes:

- Due to manufacturer tolerances, all dimensions are for reference only.
- Enclosure must be shimmed to wall to make sure proper leveling and straightness.
- Wood 2"X10" may need to be notched to allow clearance for electrical box and plumbing. DO NOT cut wall support studs.
- Enclosure must be installed prior to the installation of the Hand Dryer Motor.
- The Hand Dryer Motor shall be mounted to the rear angle iron of the enclosure.
- Mounting holes to be drilled in the field.
- Do not install lower enclosure mounting bolt if there is interference with the hand dryer.

5. Install Backing (Figure 6) onto wall studs.

Note: Backing supplied by others to meet local codes.

- If drywall is present, measure outside of Vertical Enclosure (2b) and cut out drywall window.
- Remove drywall window.
- Pre-drill/cut holes for plumbing and electrical.
- Install backing into cutout drywall window.

6. Refer to the template in (Figure 6), mount the Vertical Enclosure (2b) to the backing. Make Sure that Vertical Enclosure (2b) is level and the proper distance from the floor.

Note: Anchor enclosure to wall using 1,000 lb pull out mounting fasteners for 3/8" holes (not supplied).

- Using mounting fasteners secure Vertical Enclosure (2b) onto backing, making sure that the top of Vertical Enclosure (2b) is 33 inches (Corian®), 32 3/4 inches (Quartz) above finished floor. (ADA specifications)
- Using mounting fasteners (not supplied) secure Hand Dryer (5) to Hand Dryer Bracket (6). Make sure that fasteners are tight.
- Mount Hand Dryer Bracket (6) to the rear angle iron of the Vertical Enclosure (2b) as shown.

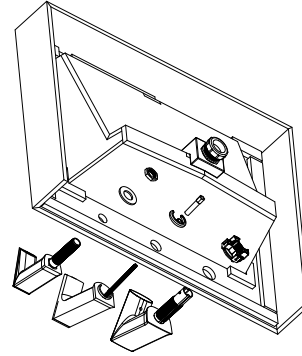
Note: Holes must be drilled in the field. Refer to rough-in, in Figure 4 on page 4.

Faucet, Hand Dryer and Soap Dispenser Installation (One Station)

Notes:

- For ease of deck installation, leave the deck lying on its front (if no bag hooks are installed) or lying on its back and install component spouts.
- Components shown for reference only.

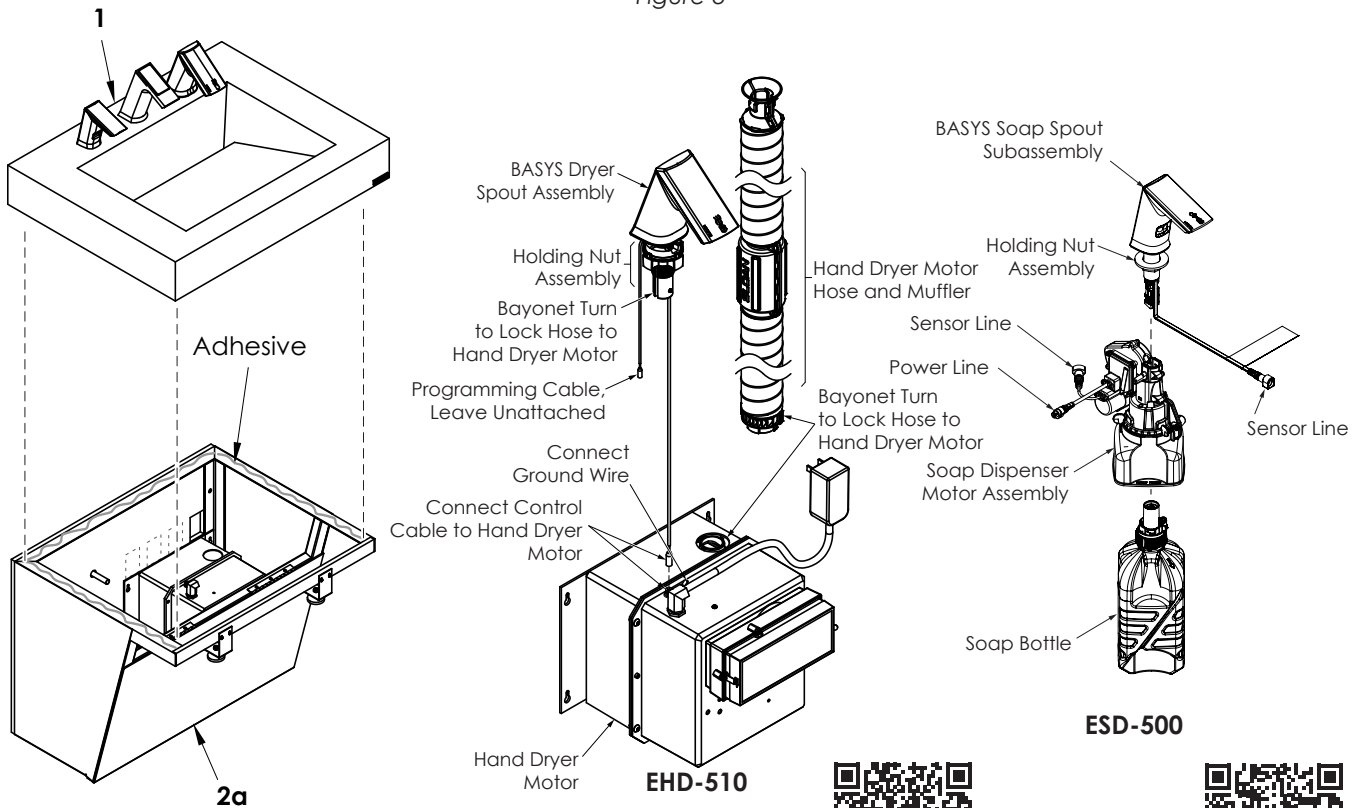
Figure 7



7. Install Faucet, Soap Dispenser and Hand Dryer (Figure 7) onto sink according to manufacturer's instructions provided with components. (See QR codes below for link to Sloan instructions.)

Sink Installation (One Station)

Figure 8



Notes:

- Hand Dryer and Soap Dispenser, refer to manufacturer instructions provided with component.
- No change with vertical enclosure.



[Scan for EHD Installation Instructions](#)



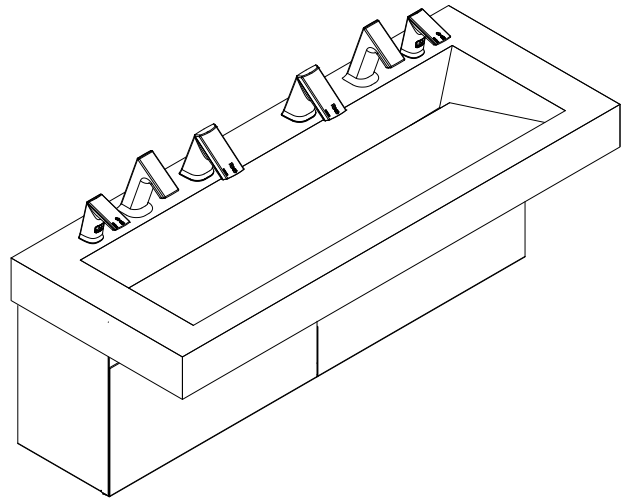
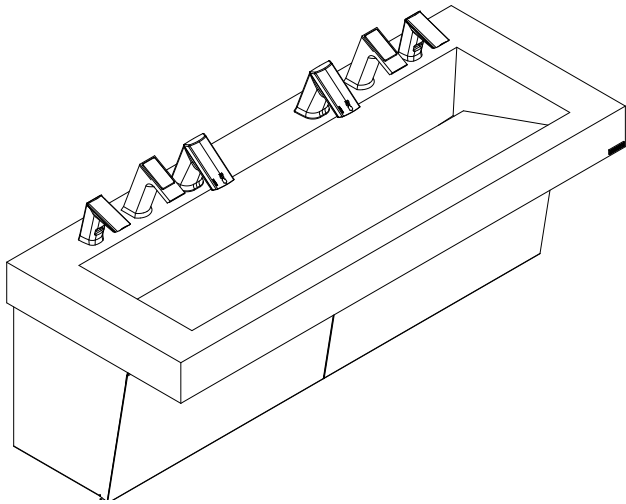
[Scan for ESD Installation Instructions](#)

8. Install Deck (1, Figure 8) onto Angled Enclosure (2a).
 - Note:** Back of Deck (1) may require scribing to finished wall.
 - a. Apply adhesive (not supplied) to the top of Enclosure (2a).
 - b. Lower Deck (1) onto Angled Enclosure (2a). Shim all gaps between Angled Enclosure (2a) and Deck (1).
 - c. Connect Hand Dryer Motor Hose to Hand Dryer Motor.
 - Note: DO NOT connect power unit until air spout is completely installed.**
 - d. Connect Soap Dispenser Lines to Soap Dispenser.
 - e. Install all water connections and drain lines.
9. Remove any and all protective tape and/or wrap. Close access panel on Enclosure (2a).

End of AD-81000 Installation Instructions

AER-DEC®-82000 Integrated Sink System

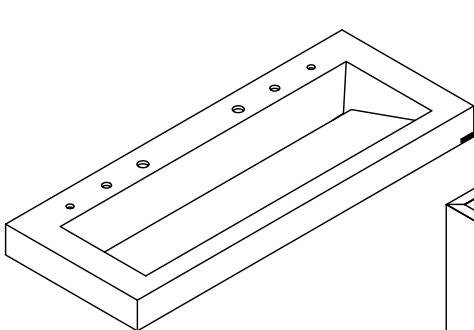
Two Station Corian® or Quartz Lavatory Systems



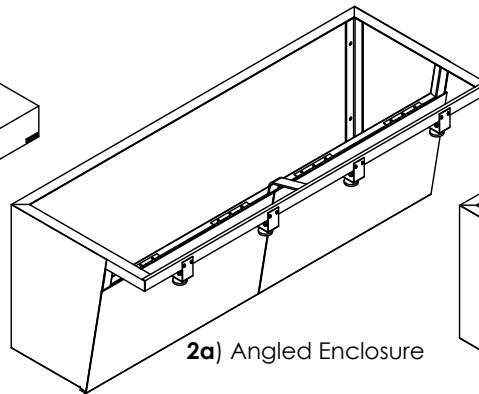
Sink Location

Determine the appropriate wall location for the Lavatory System. Consider that hot and cold water supply lines, a drain line, and an electrical source (receptacle for hardwired faucets and hand dryer) will be required. Compare the physical dimensions of the Lavatory System to the space available for the installation. If wall is not load bearing, a carrier may be required behind the wall. Refer to the appropriate Rough-in diagrams for Lavatory System dimensions. Prior to Lavatory System installation, electric wiring, water supply and drain must be installed.

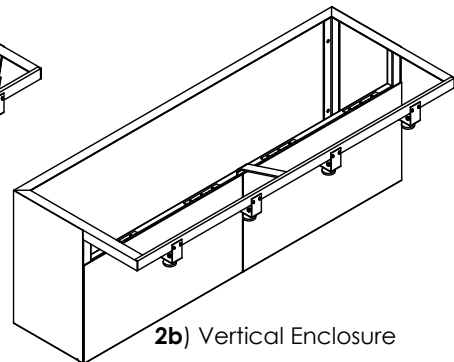
AER-DEC® Two Station Components



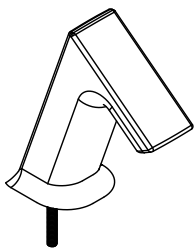
1) AD-82000 Deck



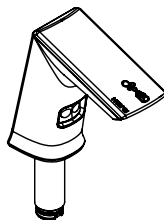
2a) Angled Enclosure



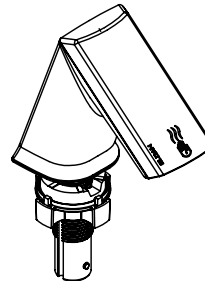
2b) Vertical Enclosure



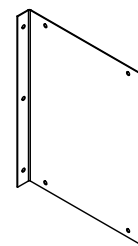
3) EFX Series Faucet



4) ESD 500 Soap Dispenser



5) Basys Style Hand Dryer



6) Hand Dryer Bracket
(Vertical Enclosure Only)

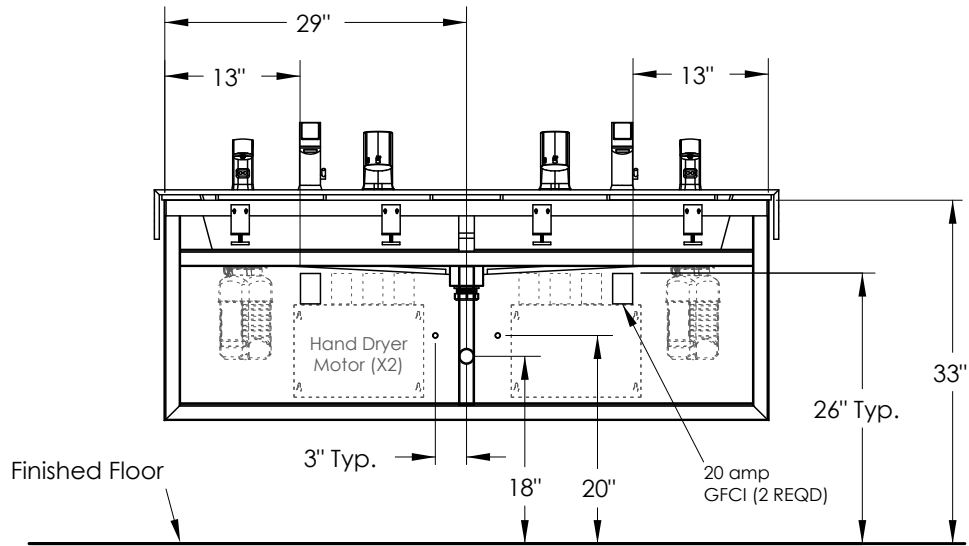
AER-DEC® Two Station Component List

| Description | Item Number | Quantity |
|--|-------------|----------|
| AER-DEC®, Two Station, Integrated Deck | 1 | 1 |
| Angled Enclosure with Hold Open Door | 2a | 1 |
| Vertical Enclosure with Hold Open Door | 2b | 1 |
| EFX Series Faucet | 3 | 2 |
| Basys Style ESD 500 Soap Dispenser | 4 | 2 |
| Basys Style Hand Dryer | 5 | 2 |
| Hand Dryer Bracket | 6 | 2 |

Note: Hand Dryer Motor must be rotated 90° for installation into a standard vertical enclosure.

Rough-In (Two Station); Plumbing and Electrical, Front View

Figure 9

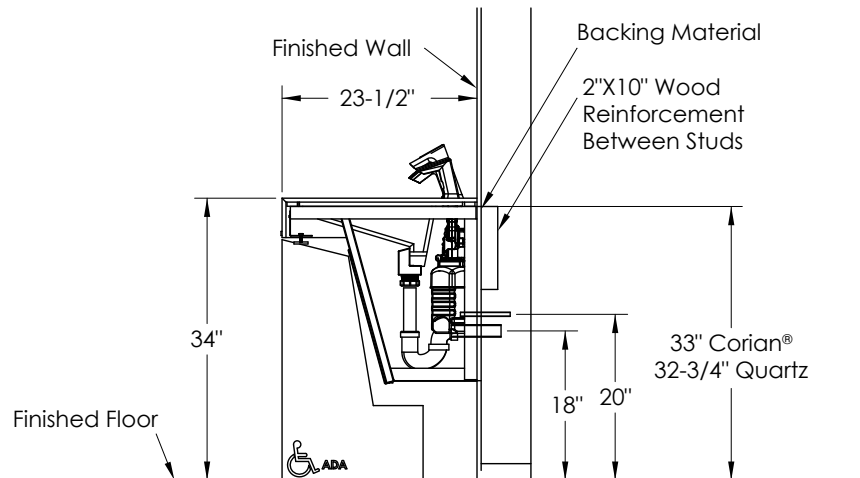


Notes:

- Plumbing and electrical are shown for reference only and may need to be adjusted to accommodate the physical environment and under sink components.
- Hot and cold-water supply line location subject to local codes.
- Hand Dryer Motor alone, without heater option activated, is only 500 watts or less with speed control.
- Hand Dryer with Heater requires 1500 watts or less with speed control.
- Each Hand Dryer Motor must be plugged into a dedicated 20 amp GFCI safety circuit. 20 amp electrical cutout shown as solid lines.
- Other electrical cutouts (dotted lines) are shown for reference only, to allow for multiple 15 amp (or less) plug-in components. The number of circuits required will vary depending on the quantity of outlets needed to support the electrical requirements of these components.
- Cut backing to allow for electrical and plumbing components.
- Electrical boxes need to be flush mounted to backing material, to allow for plumbing and component clearance.

Rough-In (Two Station); Section View

Figure 10

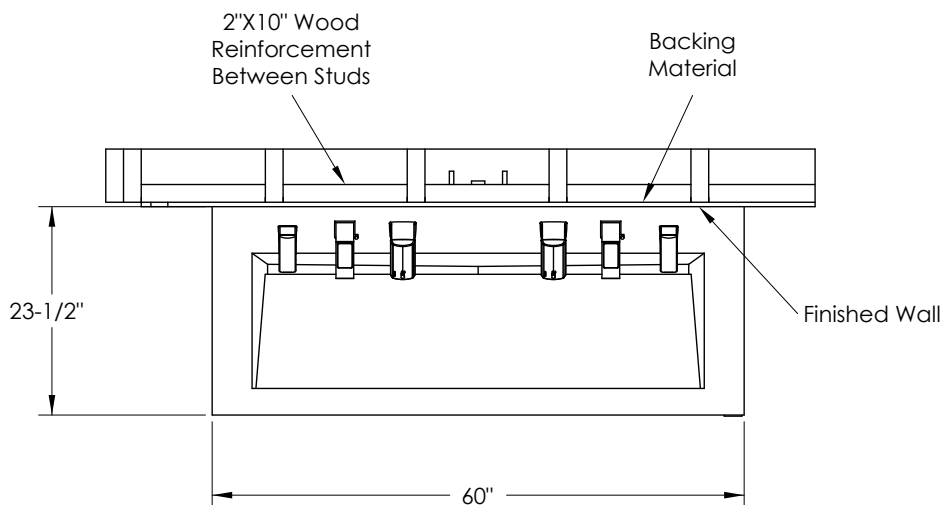


Notes:

- Backing material should equal thickness of drywall, 1/2" min.
- Angled enclosure shown, rough-in dimensions for vertical enclosure are the same.

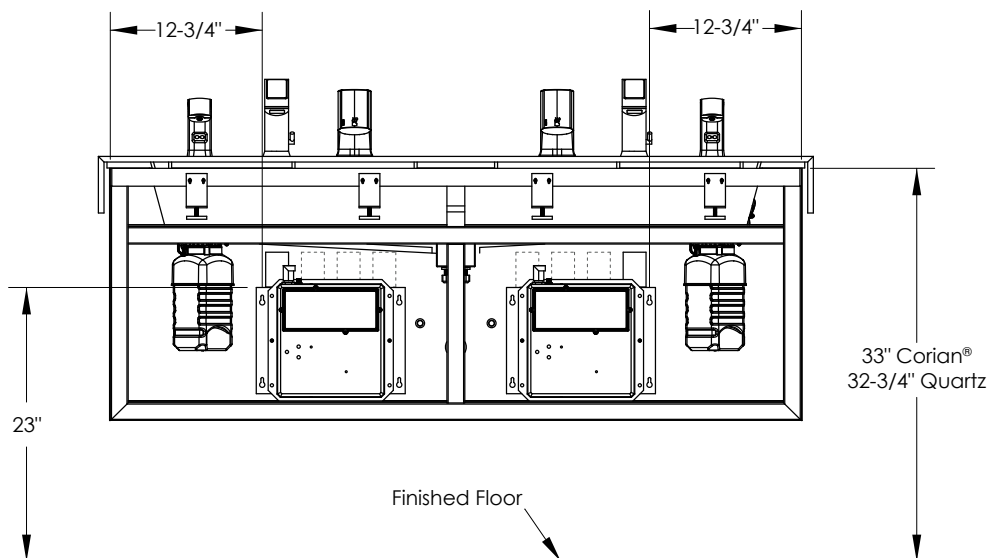
Rough-In (Two Station); Plan View

Figure 11



Rough-In (Two Station); Component Locations, Front View

Figure 12

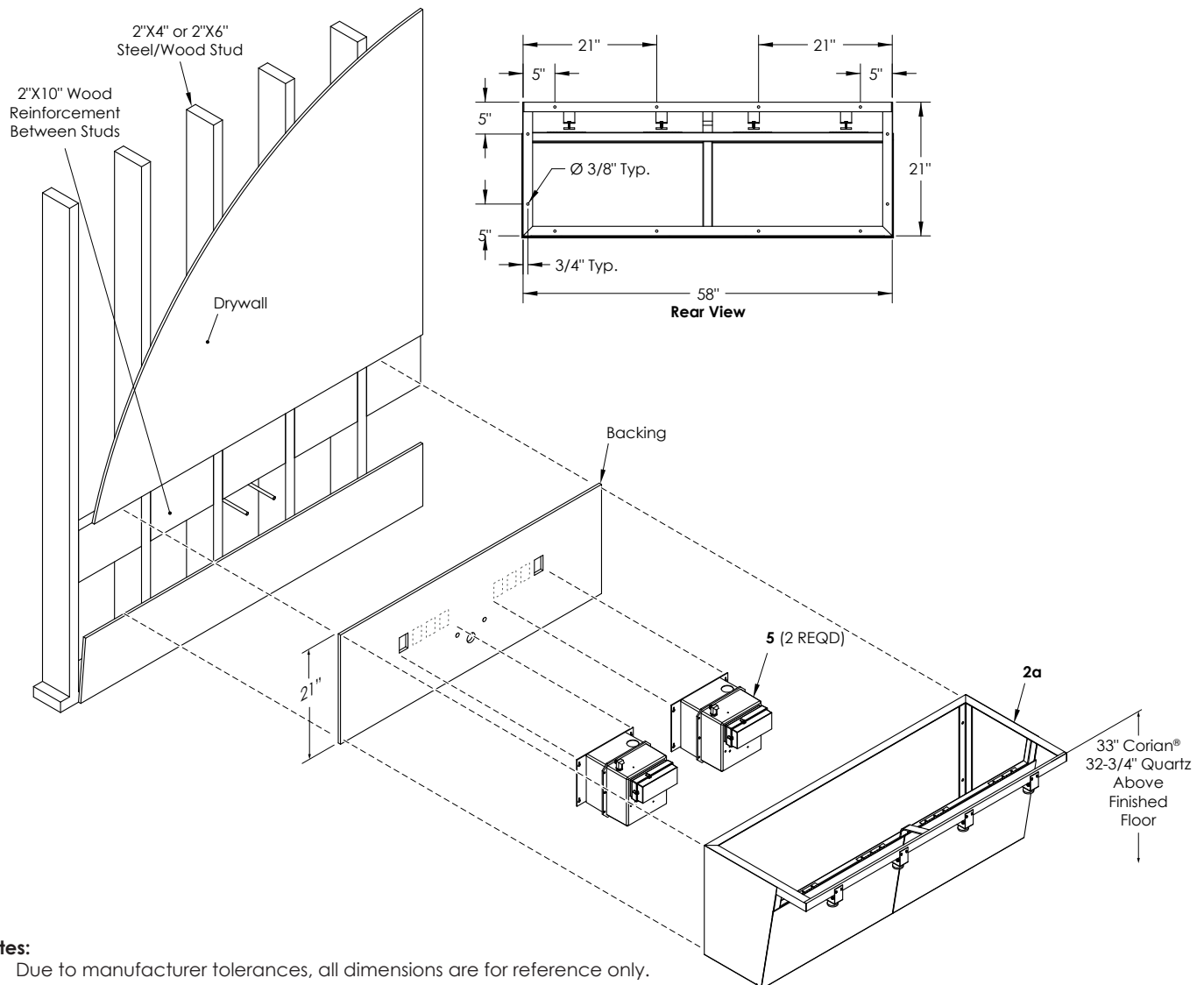


Notes:

- Mount hand dryer motor and soap reservoir to specified locations.
- For Vertical Enclosures the Hand Dryer Motor must be rotated 90° and mounted to the Hand Dryer Bracket. Hand Dryer Bracket is mounted to the rear angle iron of the enclosure. Refer to Figure 6 for instructions

Backing and Angled Enclosure Installation (Two Station)

Figure 13



Notes:

- Due to manufacturer tolerances, all dimensions are for reference only.
- Enclosure must be shimmed to wall to make sure proper leveling and straightness.
- Wood 2"X10" may need to be notched to allow clearance for electrical box and plumbing. DO NOT cut wall support studs.

1. Install Backing (Figure 13) onto wall studs.

Note: Backing supplied by others to meet local codes.

- a. If drywall is present, measure outside of Angled Enclosure (2a) and cut out drywall window.
- b. Remove drywall window.
- c. Pre-drill/cut holes for plumbing and electrical.
- d. Install backing into cutout drywall window.

2. Mount Hand Dryer Motor (5, Figure 13) to specified location onto backing. Refer to rough-in, Figure 12 on page 10 for mounting location.

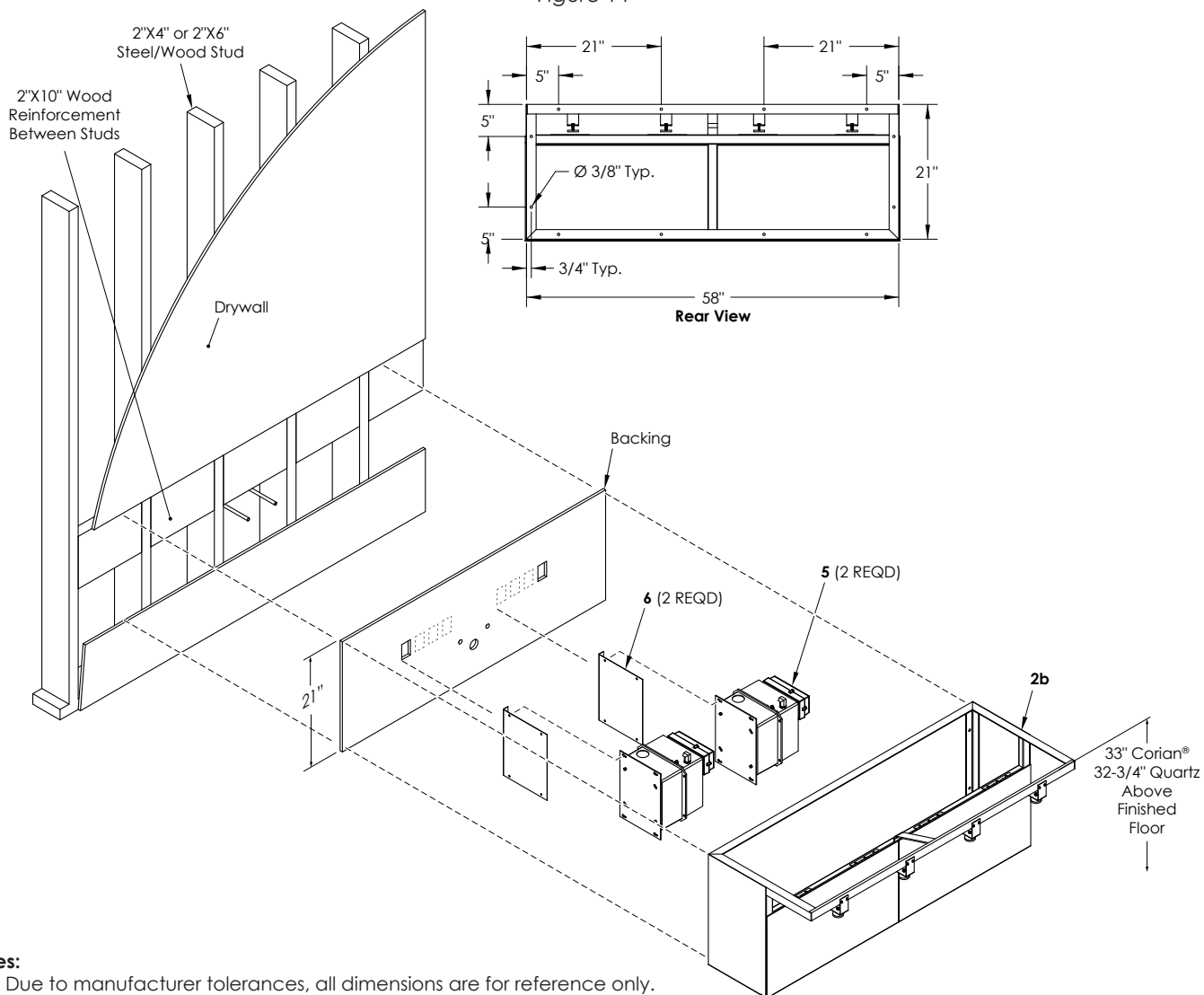
3. Refer to the template in (Figure 13), mount the Angled Enclosure (2a) to the backing. Make Sure that Angled Enclosure (2a) is level and the proper distance from the floor.

Note: Anchor enclosure to wall using 1,000 lb pull out mounting fasteners for 3/8" holes (not supplied).

- a. Using mounting fasteners secure Angled Enclosure (2a) onto backing, making sure that the top of Angled Enclosure (2a) is 33 inches (Corian®), 32 3/4 inches (Quartz) above finished floor. (ADA specifications)

Backing and Vertical Enclosure Installation (Two Station)

Figure 14



Notes:

- Due to manufacturer tolerances, all dimensions are for reference only.
 - Enclosure must be shimmed to wall to make sure proper leveling and straightness.
 - Wood 2"X10" may need to be notched to allow clearance for electrical box and plumbing. DO NOT cut wall support studs.
4. Install Backing (Figure 14) onto wall studs.

Note: Backing supplied by others to meet local codes.

 - a. If drywall is present, measure outside of Vertical Enclosure (2b) and cut out drywall window.
 - b. Remove drywall window.
 - c. Pre-drill/cut holes for plumbing and electrical.
 - d. Install backing into cutout drywall window.
 5. Mount Hand Dryer Motor (5, Figure 14) to specified location onto backing. Refer to rough-in, Figure 12 on page 10 for mounting location.
 - a. Using mounting fasteners (not supplied) secure Hand Dryer (5) to Hand Dryer Bracket (6). Make sure that fasteners are tight.
 - b. Using mounting fasteners (not supplied) install Hand Dryer Bracket (6), with Hand Dryer Motor (5) attached, onto backing.
 6. Refer to the template in (Figure 14), mount the Vertical Enclosure (2b) to the backing. Make Sure that Vertical Enclosure (2b) is level and the proper distance from the floor.

Note: Anchor enclosure to wall using 1,000 lb pull out mounting fasteners for 3/8" holes (not supplied).

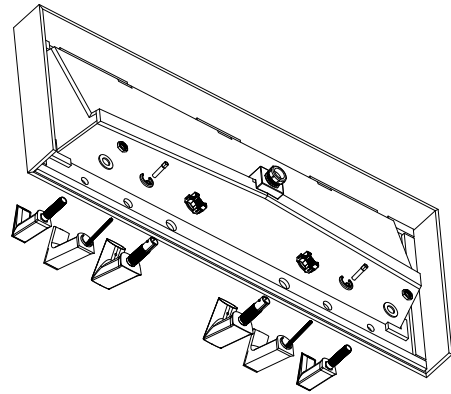
 - a. Using mounting fasteners secure Vertical Enclosure (2b) onto backing, making sure that the top of Vertical Enclosure (2b) is 33 inches (Corian®), 32 3/4 inches (Quartz) above finished floor. (ADA specifications)

Faucet, Hand Dryer and Soap Dispenser Installation (Two Station)

Notes:

- For ease of deck installation, leave the deck lying on its front (if no bag hooks are installed) or lying on its back and install component spouts.
- Components shown for reference only.

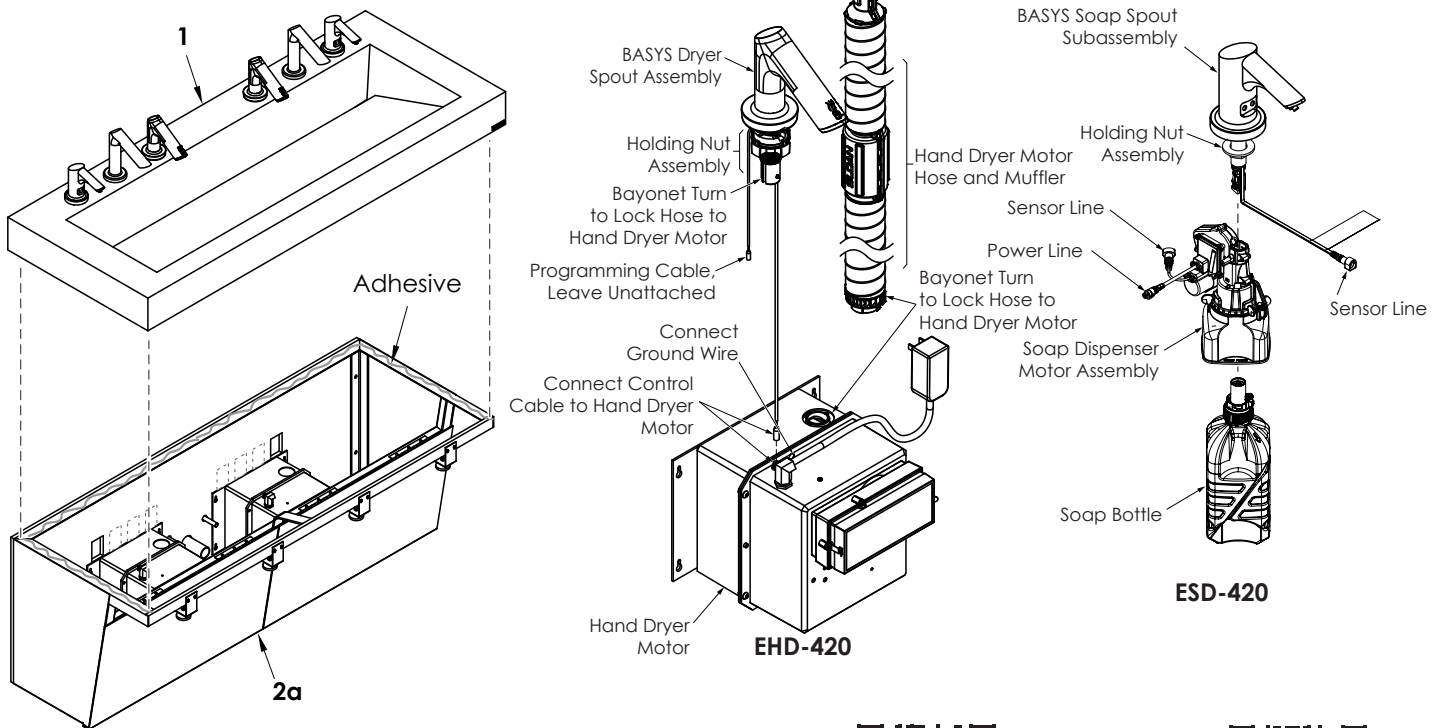
Figure 15



7. Install Faucet, Soap Dispenser and Hand Dryer (Figure 15) onto sink according to manufacturer's instructions provided with components. (See QR codes below for link to Sloan instructions.)

Sink Installation (Two Station)

Figure 16



Notes:

- Hand Dryer and Soap Dispenser, refer to manufacturer instructions provided with component.
- No change with vertical enclosure.



[Scan for EHD Installation Instructions](#)

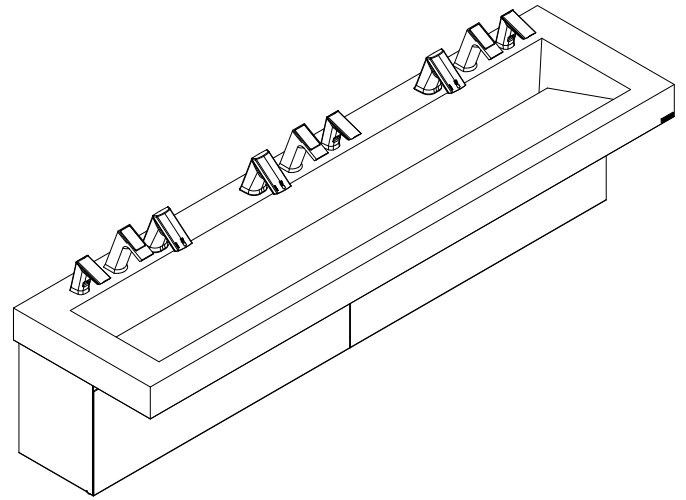
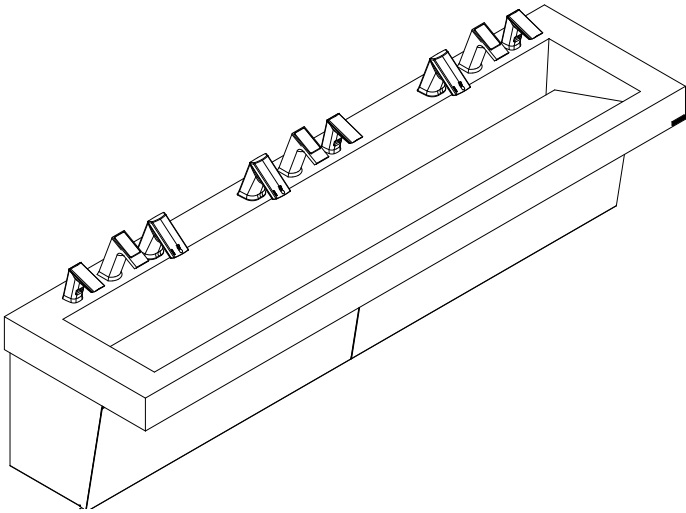


[Scan for ESD Installation Instructions](#)

8. Install Deck (1, Figure 16) onto Angled Enclosure (2a).
 - Note:** Back of Deck (1) may require scribing to finished wall.
 - a. Apply adhesive (not supplied) to the top of Enclosure (2a).
 - b. Lower Deck (1) onto Angled Enclosure (2a). Shim all gaps between Angled Enclosure (2a) and Deck (1).
 - c. Connect Hand Dryer Motor Hose to Hand Dryer Motor.
 - Note: DO NOT connect power unit until air spout is completely installed.**
 - d. Connect Soap Dispenser Lines to Soap Dispenser.
 - e. Install all water connections and drain lines.
9. Remove any and all protective tape and/or wrap. Close access panel on Enclosure (2a).

AER-DEC®-83000 Integrated Sink System

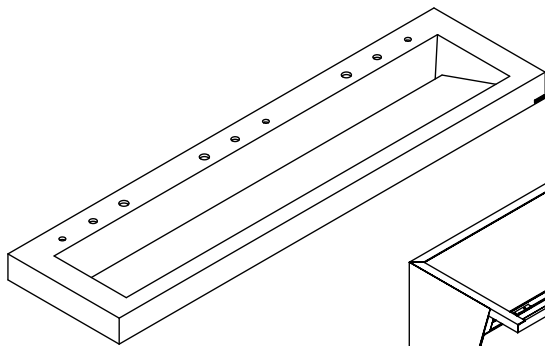
Three Station Corian® or Quartz Lavatory Systems



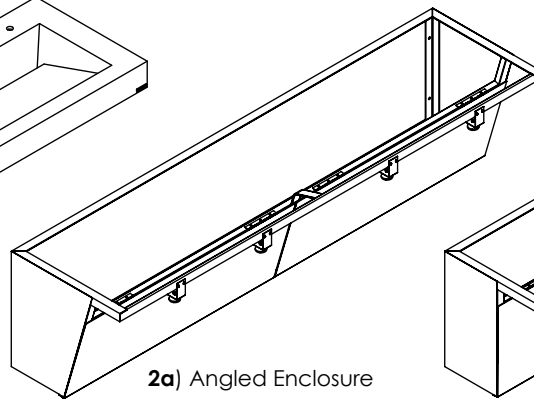
Sink Location

Determine the appropriate wall location for the Lavatory System. Consider that hot and cold water supply lines, a drain line, and an electrical source (receptacle for hardwired faucets and hand dryer) will be required. Compare the physical dimensions of the Lavatory System to the space available for the installation. If wall is not load bearing, a carrier may be required behind the wall. Refer to the appropriate Rough-in diagrams for Lavatory System dimensions. Prior to Lavatory System installation, electric wiring, water supply and drain must be installed.

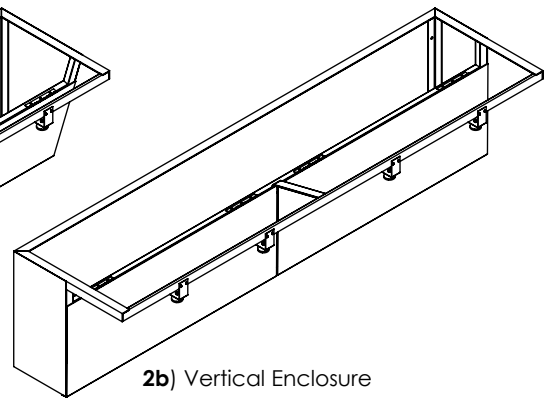
AER-DEC® Three Station Components



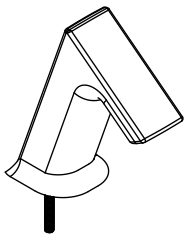
1) AD-83000 Deck



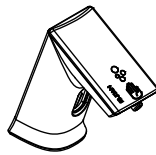
2a) Angled Enclosure



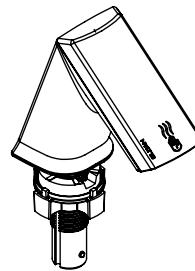
2b) Vertical Enclosure



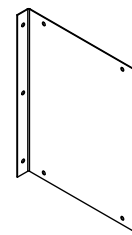
3) EFX Series Faucet



4) ESD 400 Soap Dispenser



5) Basy's Style Hand Dryer



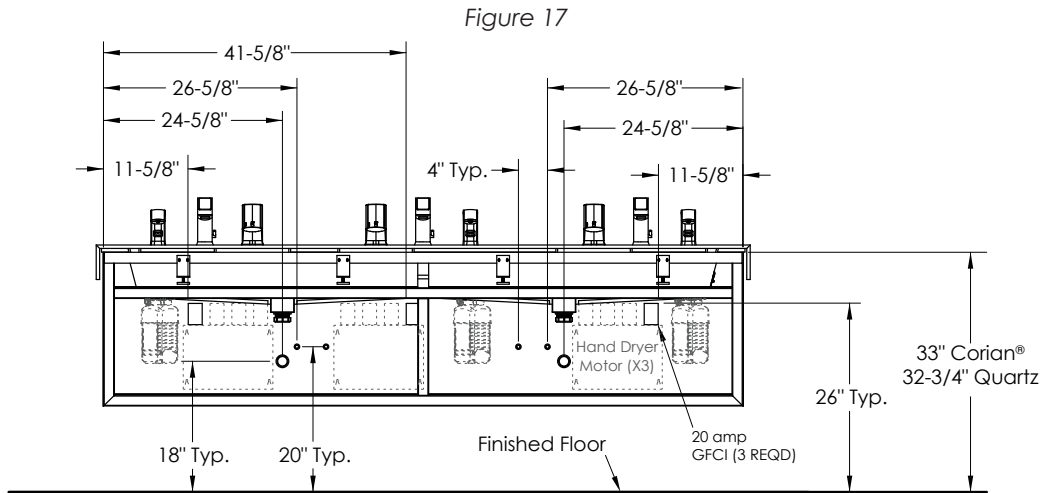
6) Hand Dryer Bracket
(Vertical Enclosure Only)

AER-DEC® Three Station Component List

| Description | Item Number | Quantity |
|--|-------------|----------|
| AER-DEC®, Three Station, Integrated Deck | 1 | 1 |
| Angled Enclosure with Hold Open Door | 2a | 1 |
| Vertical Enclosure with Hold Open Door | 2b | 1 |
| EFX Series Faucet | 3 | 3 |
| Basy's Style ESD 500 Soap Dispenser | 4 | 3 |
| Basy's Style Hand Dryer | 5 | 3 |
| Hand Dryer Bracket | 6 | 3 |

Note: Hand Dryer Motor must be rotated 90° for installation into a standard vertical enclosure.

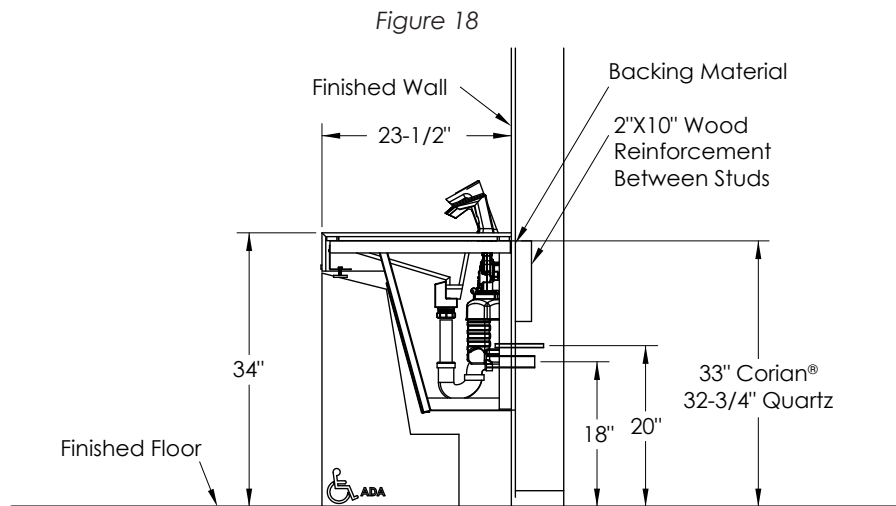
Rough-In (Three Station); Plumbing and Electrical, Front View



Notes:

- Plumbing and electrical are shown for reference only and may need to be adjusted to accommodate the physical environment and under sink components.
- Hot and cold-water supply line location subject to local codes.
- Hand Dryer Motor alone, without heater option activated, is only 500 watts or less with speed control.
- Hand Dryer with Heater requires 1500 watts or less with speed control.
- Each Hand Dryer Motor must be plugged into a dedicated 20 amp GFCI safety circuit. 20 amp electrical cutout shown as solid lines.
- Other electrical cutouts (dotted lines) are shown for reference only, to allow for multiple 15 amp (or less) plug-in components. The number of circuits required will vary depending on the quantity of outlets needed to support the electrical requirements of these components.
- Cut backing to allow for electrical and plumbing components.
- Electrical boxes need to be flush mounted to backing material, to allow for plumbing and component clearance.

Rough-In (Three Station); Section View

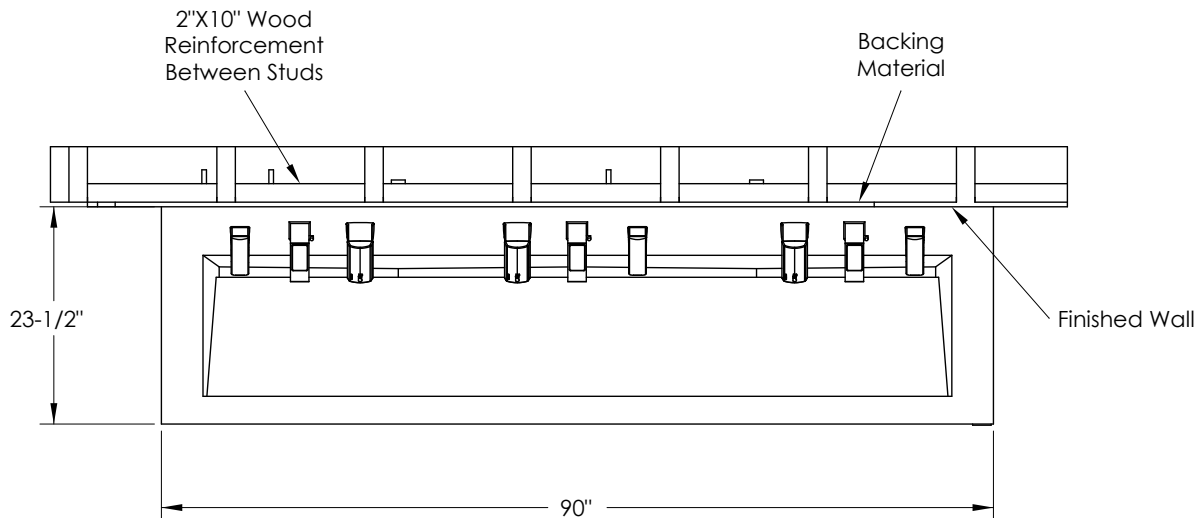


Notes:

- Backing material should equal thickness of drywall, 1/2" min.
- Angled enclosure shown, rough-in dimensions for vertical enclosure are the same.

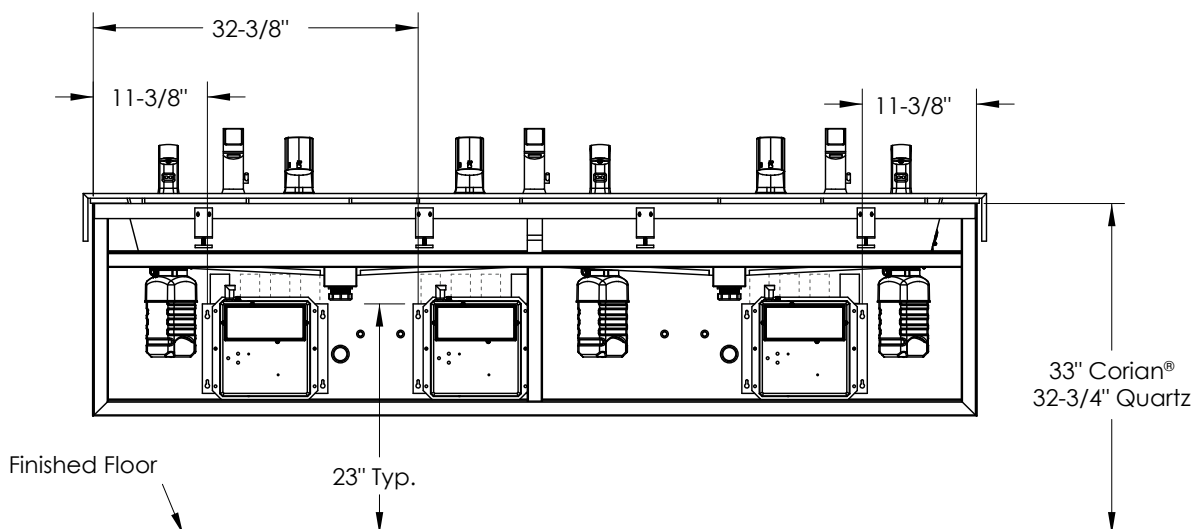
Rough-In (Three Station); Plan View

Figure 19



Rough-In (Three Station); Component Locations, Front View

Figure 20

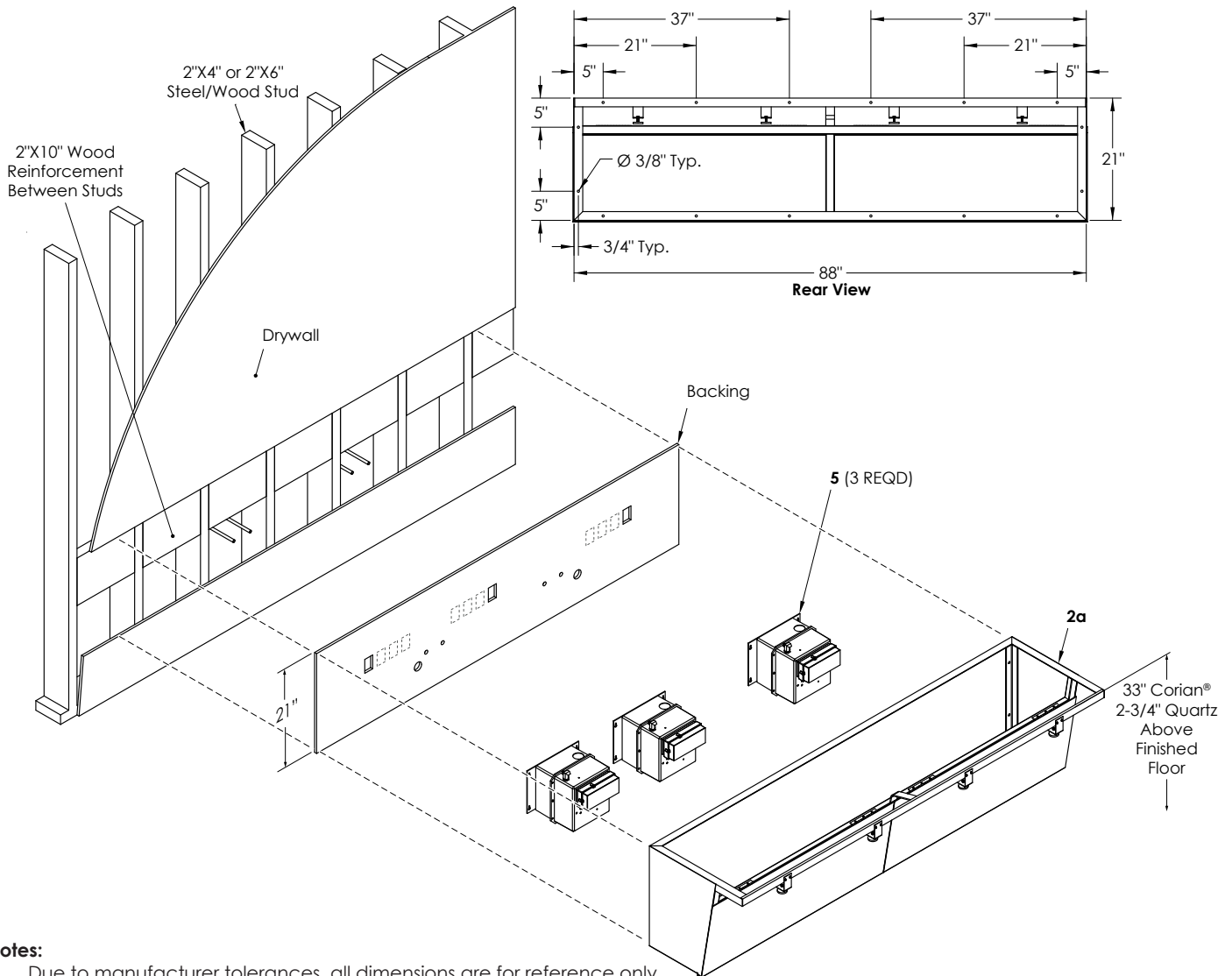


Notes:

- Mount hand dryer motor and soap reservoir to specified locations.
- For Vertical Enclosures the Hand Dryer Motor must be rotated 90° and mounted to the Hand Dryer Bracket. Hand Dryer Bracket is mounted to the rear angle iron of the enclosure. Refer to Figure 6 for instructions

Backing and Angled Enclosure Installation (Three Station)

Figure 21



Notes:

- Due to manufacturer tolerances, all dimensions are for reference only.
- Enclosure must be shimmed to wall to make sure proper leveling and straightness.
- Wood 2"X10" may need to be notched to allow clearance for electrical box and plumbing. DO NOT cut wall support studs.

1. Install Backing (Figure 21) onto wall studs.

Note: Backing supplied by others to meet local codes.

- a. If drywall is present, measure outside of Angled Enclosure (2a) and cut out drywall window.
- b. Remove drywall window.
- c. Pre-drill/cut holes for plumbing and electrical.
- d. Install backing into cutout drywall window.

2. Mount Hand Dryer Motor (5, Figure 21) to specified location onto backing. Refer to Figure 20 on page 16 for mounting location.

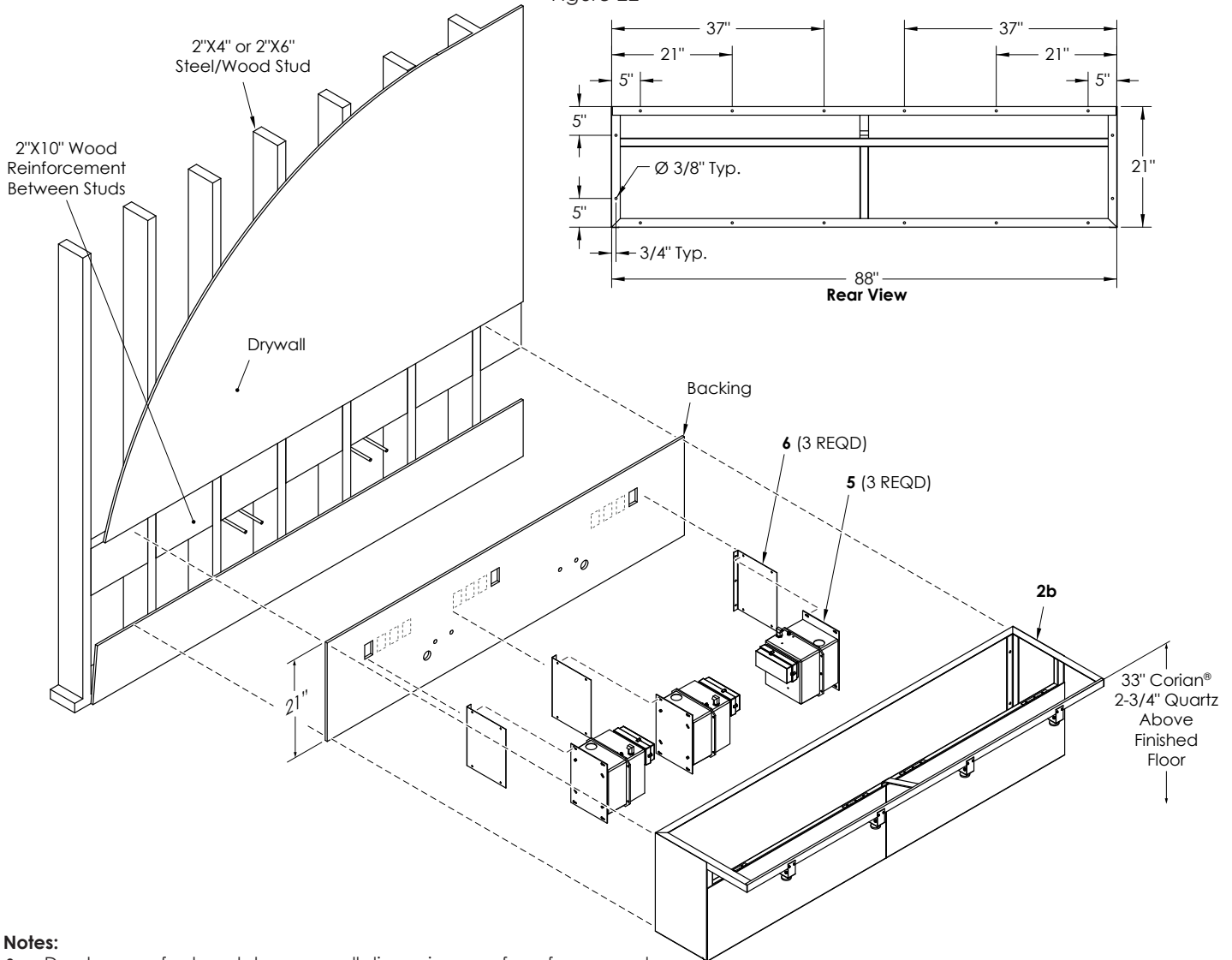
3. Refer to the template in (Figure 21), mount the Angled Enclosure (2a) to the backing. Make Sure that Angled Enclosure (2a) is level and the proper distance from the floor.

Note: Anchor enclosure to wall using 1,000 lb pull out mounting fasteners for 3/8" holes (not supplied).

- a. Using mounting fasteners secure Angled Enclosure (2a) onto backing, making sure that the top of Angled Enclosure (2a) is 33 inches (Corian®), 32 3/4 inches (Quartz) above finished floor. (ADA specifications)

Backing and Vertical Enclosure Installation (Three Station)

Figure 22



Notes:

- Due to manufacturer tolerances, all dimensions are for reference only.
 - Enclosure must be shimmed to wall to make sure proper leveling and straightness.
 - Wood 2"X10" may need to be notched to allow clearance for electrical box and plumbing. DO NOT cut wall support studs.
4. Install Backing (Figure 22) onto wall studs.

Note: Backing supplied by others to meet local codes.

 - a. If drywall is present, measure outside of Vertical Enclosure (2b) and cut out drywall window.
 - b. Remove drywall window.
 - c. Pre-drill/cut holes for plumbing and electrical.
 - d. Install backing into cutout drywall window.
 5. Mount Hand Dryer Motor (5, Figure 22) to specified location onto backing. Refer to Figure 20 on page 16 for mounting location.
 - a. Using mounting fasteners (not supplied) secure Hand Dryer (5) to Hand Dryer Bracket (6). Make sure that fasteners are tight.
 - b. Using mounting fasteners (not supplied) install Hand Dryer Bracket (6), with Hand Dryer Motor (5) attached, onto backing.
 6. Refer to the template in (Figure 22), mount the Vertical Enclosure (2b) to the backing. Make Sure that Vertical Enclosure (2b) is level and the proper distance from the floor.

Note: Anchor enclosure to wall using 1,000 lb pull out mounting fasteners for 3/8" holes (not supplied).

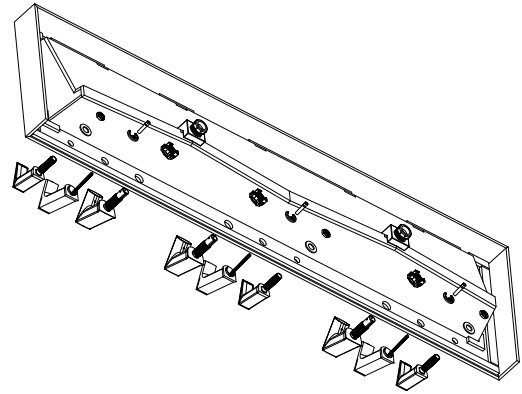
 - a. Using mounting fasteners secure Vertical Enclosure (2b) onto backing, making sure that the top of Vertical Enclosure (2b) is 33 inches (Corian®), 32 3/4 inches (Quartz) above finished floor. (ADA specifications)

Faucet, Hand Dryer and Soap Dispenser Installation (Three Station)

Notes:

- For ease of deck installation, leave the deck lying on its front (if no bag hooks are installed) or lying on its back and install component spouts.
- Components shown for reference only.

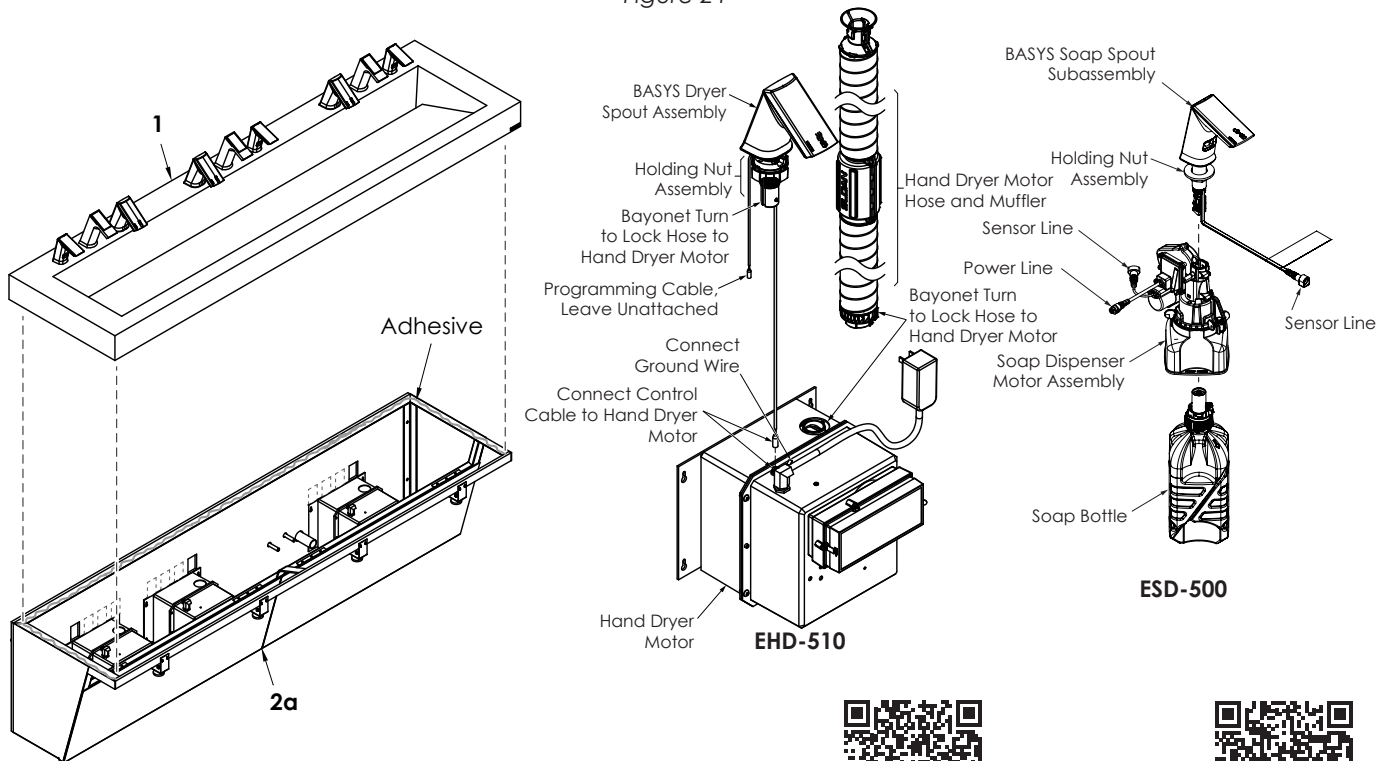
Figure 23



7. Install Faucet, Soap Dispenser and Hand Dryer (Figure 23) onto sink according to manufacturer's instructions provided with components. (See QR codes below for link to Sloan instructions.)

Sink Installation (Three Station)

Figure 24



Notes:

- Hand Dryer and Soap Dispenser, refer to manufacturer instructions provided with component.
- No change with vertical enclosure.

8. Install Deck (1, Figure 24) onto Angled Enclosure (2a).

Note: Back of Deck (1) may require scribing to finished wall.

- a. Apply adhesive (not supplied) to the top of Enclosure (2a).
- b. Lower Deck (1) onto Angled Enclosure (2a). Shim all gaps between Angled Enclosure (2a) and Deck (1).
- c. Connect Hand Dryer Motor Hose to Hand Dryer Motor.

Note: DO NOT connect power unit until air spout is completely installed.

- d. Connect Soap Dispenser Lines to Soap Dispenser.
- e. Install all water connections and drain lines.

9. Remove any and all protective tape and/or wrap. Close access panel on Enclosure (2a).



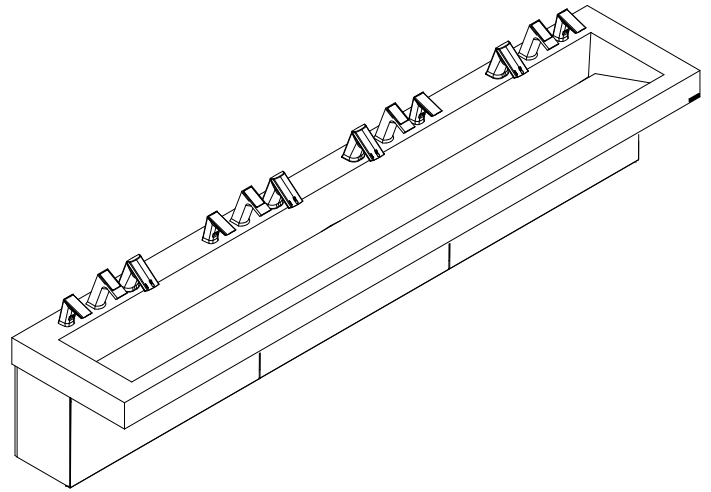
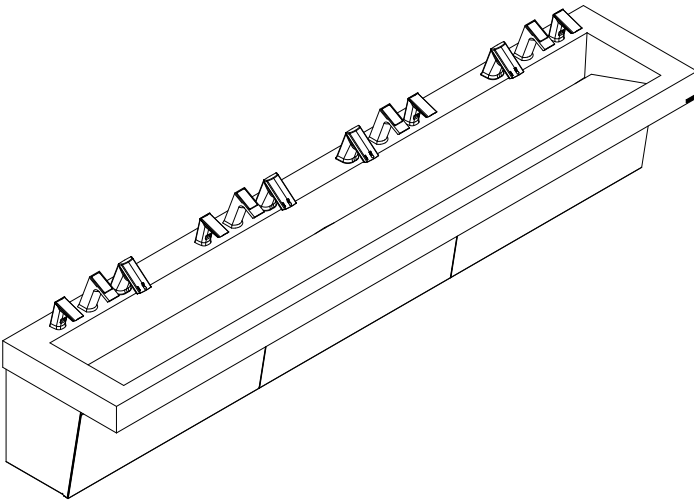
[Scan for EHD Installation Instructions](#)



[Scan for ESD Installation Instructions](#)

AER-DEC®-84000 Integrated Sink System

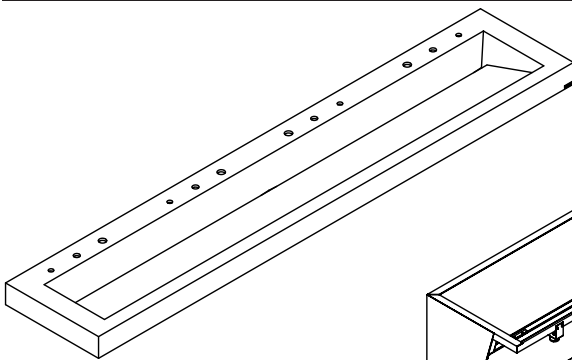
Four Station Corian® or Quartz Lavatory Systems



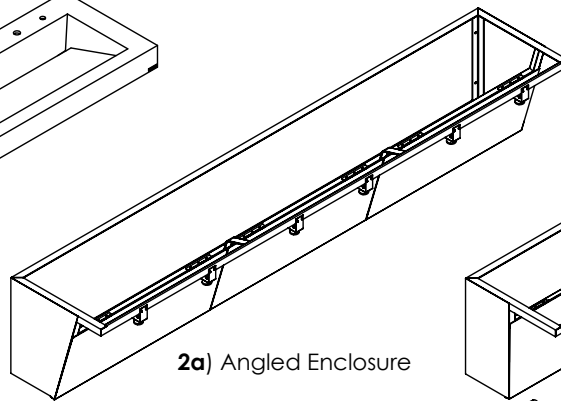
Sink Location

Determine the appropriate wall location for the Lavatory System. Consider that hot and cold water supply lines, a drain line, and an electrical source (receptacle for hardwired faucets and hand dryer) will be required. Compare the physical dimensions of the Lavatory System to the space available for the installation. If wall is not load bearing, a carrier may be required behind the wall. Refer to the appropriate Rough-in diagrams for Lavatory System dimensions. Prior to Lavatory System installation, electric wiring, water supply and drain must be installed.

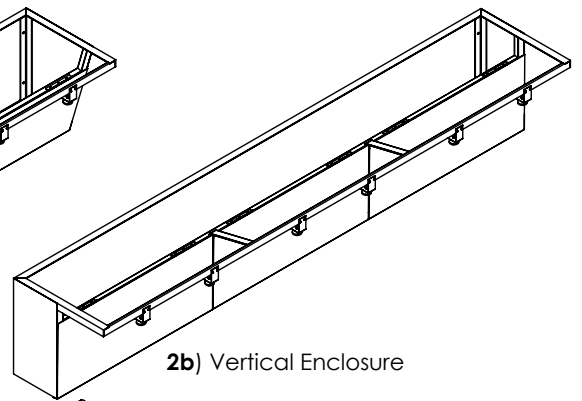
AER-DEC® Four Station Components



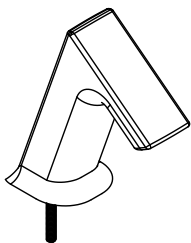
1) AD-83000 Deck



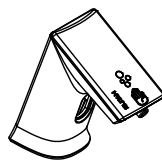
2a) Angled Enclosure



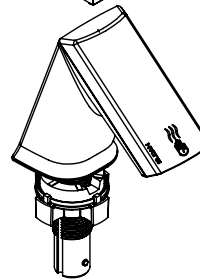
2b) Vertical Enclosure



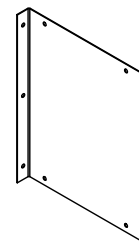
3) EFX Series Faucet



4) ESD 400 Soap Dispenser



5) Basys Style Hand Dryer



6) Hand Dryer Bracket
(Vertical Enclosure Only)

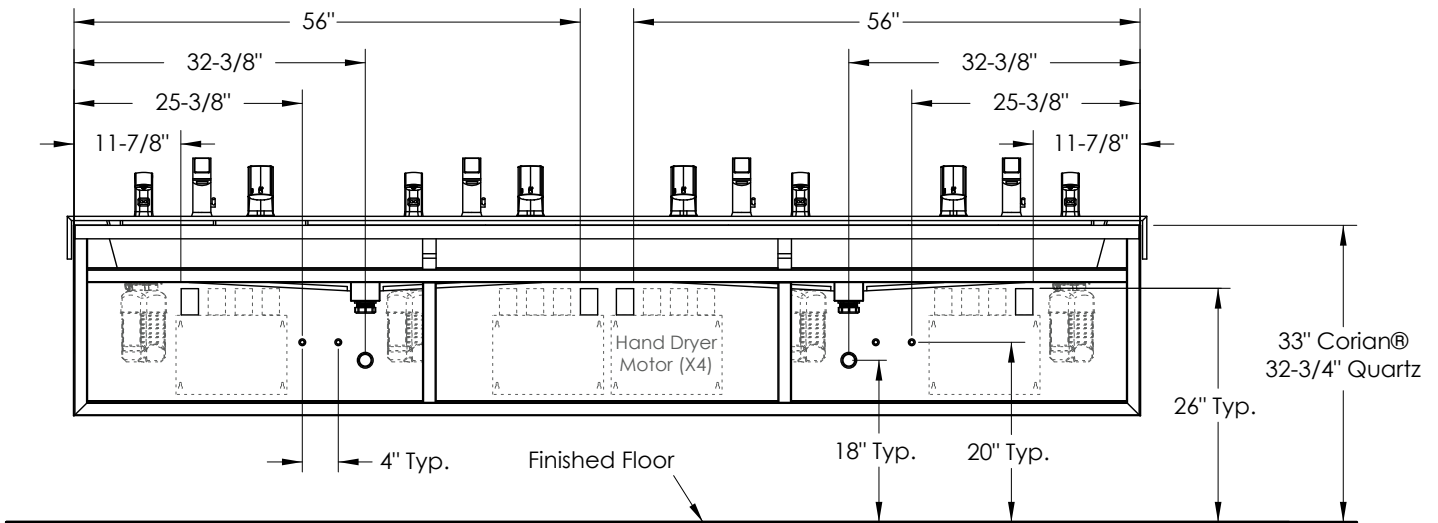
AER-DEC® Four Station Component List

| Description | Item Number | Quantity |
|---|-------------|----------|
| AER-DEC®, Four Station, Integrated Deck | 1 | 1 |
| Angled Enclosure with Hold Open Door | 2a | 1 |
| Vertical Enclosure with Hold Open Door | 2b | 1 |
| EFX Series Faucet | 3 | 4 |
| Basys Style ESD 500 Soap Dispenser | 4 | 4 |
| Basys Style Hand Dryer | 5 | 4 |
| Hand Dryer Bracket | 6 | 4 |

Note: Hand Dryer Motor must be rotated 90° for installation into a standard vertical enclosure.

Rough-In (Four Station): Plumbing and Electrical, Front View

Figure 25

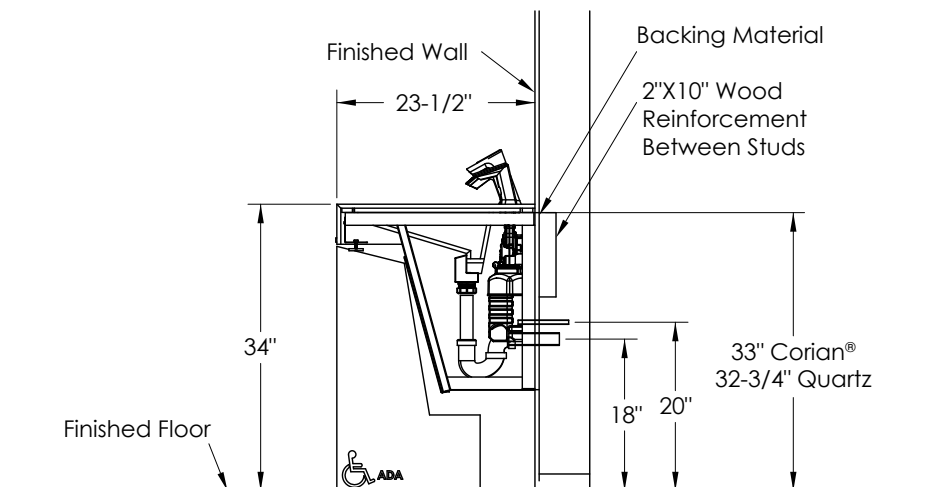


Notes:

- Plumbing and electrical are shown for reference only and may need to be adjusted to accommodate the physical environment and under sink components.
- Hot and cold-water supply line location subject to local codes.
- Hand Dryer Motor alone, without heater option activated, is only 500 watts or less with speed control.
- Hand Dryer with Heater requires 1500 watts or less with speed control.
- Each Hand Dryer Motor must be plugged into a dedicated 20 amp GFCI safety circuit. 20 amp electrical cutout shown as solid lines.
- Other electrical cutouts (dotted lines) are shown for reference only, to allow for multiple 15 amp (or less) plug-in components. The number of circuits required will vary depending on the quantity of outlets needed to support the electrical requirements of these components.
- Cut backing to allow for electrical and plumbing components.
- Electrical boxes need to be flush mounted to backing material, to allow for plumbing and component clearance.

Rough-In (Four Station): Section View

Figure 26

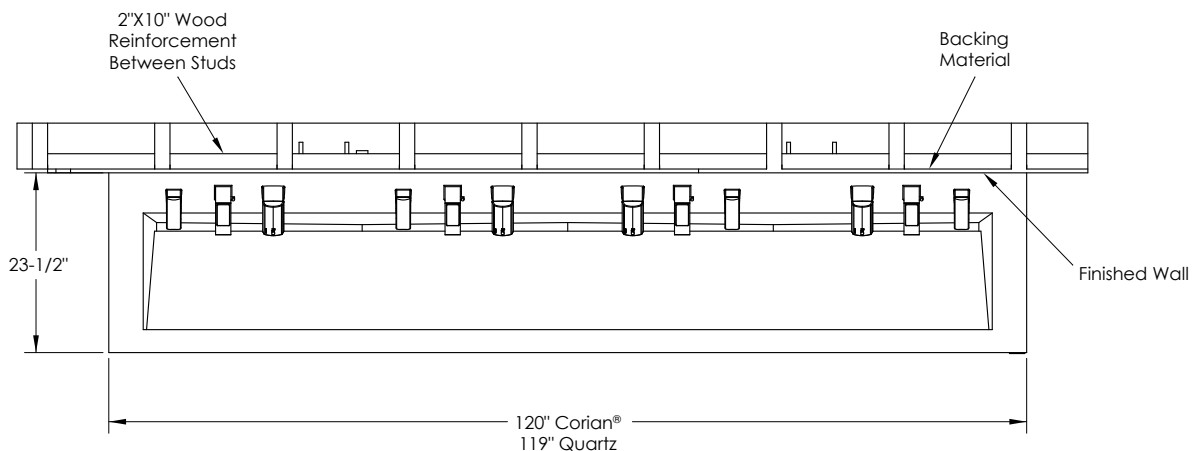


Notes:

- Backing material should equal thickness of drywall, 1/2" min.
- Angled enclosure shown, rough-in dimensions for vertical enclosure are the same.

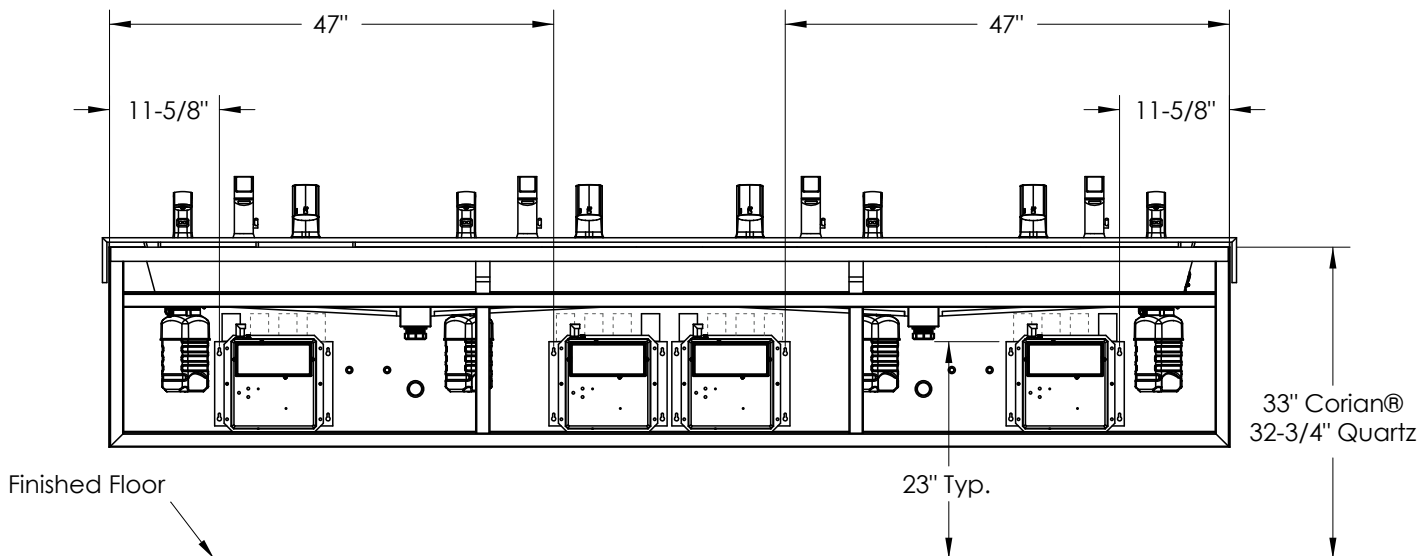
Rough-In (Four Station): Plan View

Figure 27



Rough-In (Four Station): Component Locations, Front View

Figure 28

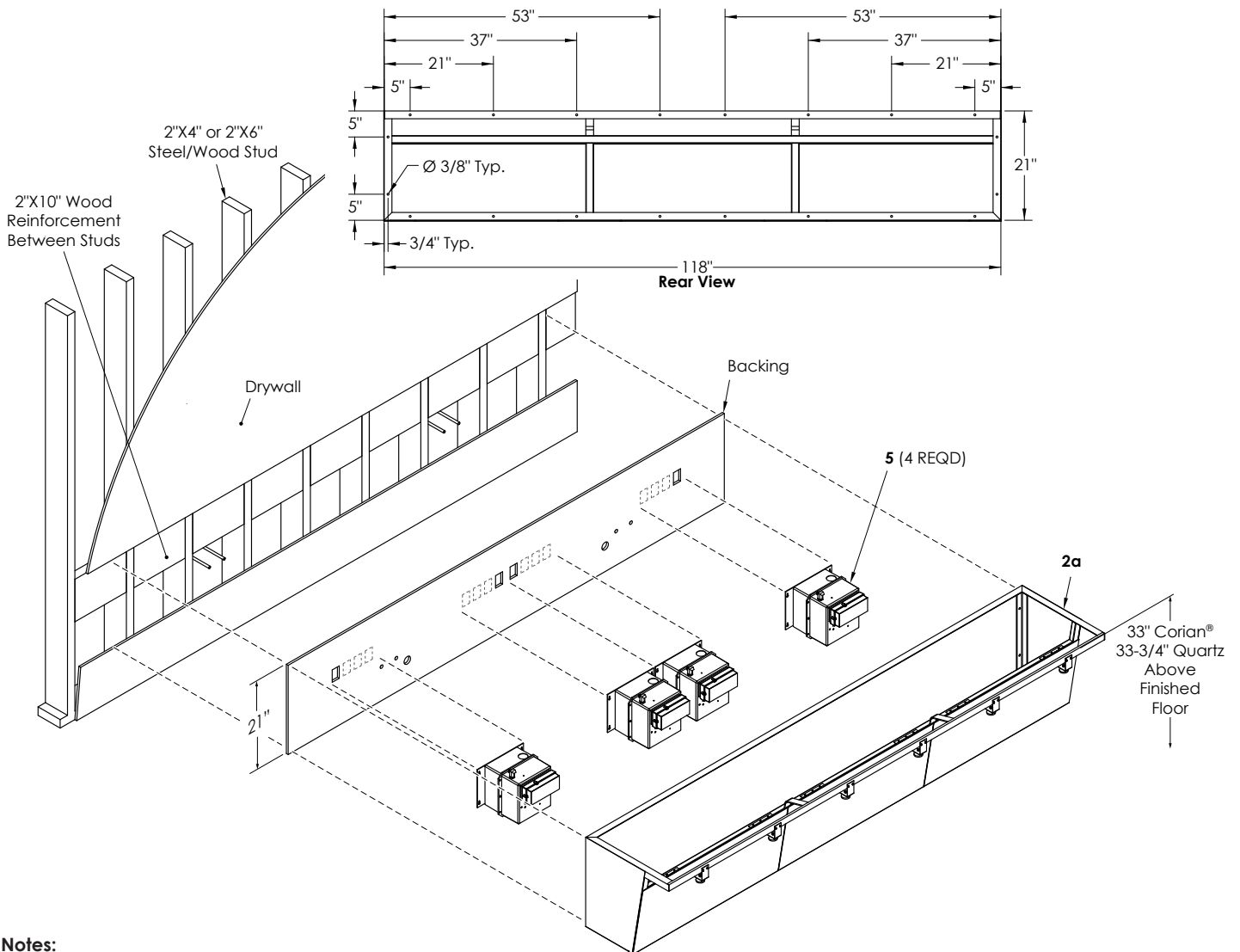


Notes:

- Mount hand dryer motor and soap reservoir to specified locations.
- For Vertical Enclosures the Hand Dryer Motor must be rotated 90° and mounted to the Hand Dryer Bracket. Hand Dryer Bracket is mounted to the rear angle iron of the enclosure. Refer to Figure 6 for instructions

Backing and Angled Enclosure Installation (Four Station)

Figure 29



Notes:

- Due to manufacturer tolerances, all dimensions are for reference only.
- Enclosure must be shimmed to wall to make sure proper leveling and straightness.
- Wood 2"x10" may need to be notched to allow clearance for electrical box and plumbing. DO NOT cut wall support studs.

1. Install Backing (Figure 29) onto wall studs.

Note: Backing supplied by others to meet local codes.

- a. If drywall is present, measure outside of Angled Enclosure (2a) and cut out drywall window.
- b. Remove drywall window.
- c. Pre-drill/cut holes for plumbing and electrical.
- d. Install backing into cutout drywall window.

2. Mount Hand Dryer Motor (5, Figure 29) to specified location onto backing. Refer to Figure 28 on page 22 for mounting location.

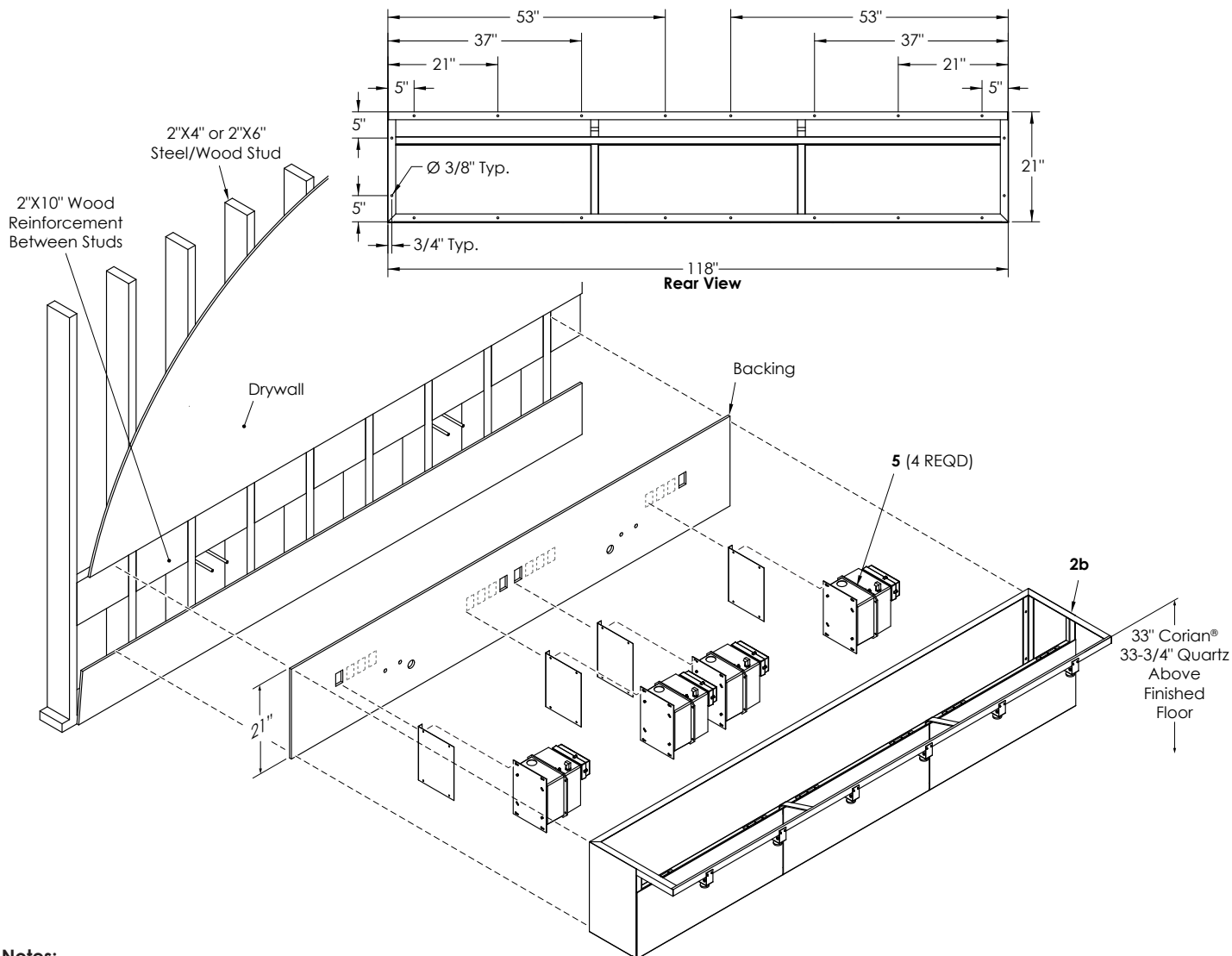
3. Refer to the template in (Figure 29), mount the Angled Enclosure (2a) to the backing. Make Sure that Angled Enclosure (2a) is level and the proper distance from the floor.

Note: Anchor enclosure to wall using 1,000 lb pull out mounting fasteners for 3/8" holes (not supplied).

- a. Using mounting fasteners secure Angled Enclosure (2a) onto backing, making sure that the top of Angled Enclosure (2a) is 33 inches (Corian®), 32 3/4 inches (Quartz) above finished floor. (ADA specifications)

Backing and Vertical Enclosure Installation (Four Station)

Figure 30



Notes:

- Due to manufacturer tolerances, all dimensions are for reference only.
 - Enclosure must be shimmed to wall to make sure proper leveling and straightness.
 - Wood 2"X10" may need to be notched to allow clearance for electrical box and plumbing. DO NOT cut wall support studs.
4. Install Backing (Figure 30) onto wall studs.

Note: Backing supplied by others to meet local codes.

 - a. If drywall is present, measure outside of Vertical Enclosure (2b) and cut out drywall window.
 - b. Remove drywall window.
 - c. Pre-drill/cut holes for plumbing and electrical.
 - d. Install backing into cutout drywall window.
 5. Mount Hand Dryer Motor (5, Figure 30) to specified location onto backing. Refer to Figure 28 on page 22 for mounting location.
 - a. Using mounting fasteners (not supplied) secure Hand Dryer (5) to Hand Dryer Bracket (6). Make sure that fasteners are tight.
 - b. Using mounting fasteners (not supplied) install Hand Dryer Bracket (6), with Hand Dryer Motor (5) attached, onto backing.
 6. Refer to the template in (Figure 30), mount the Vertical Enclosure (2b) to the backing. Make Sure that Vertical Enclosure (2b) is level and the proper distance from the floor.

Note: Anchor enclosure to wall using 1,000 lb pull out mounting fasteners for 3/8" holes (not supplied).

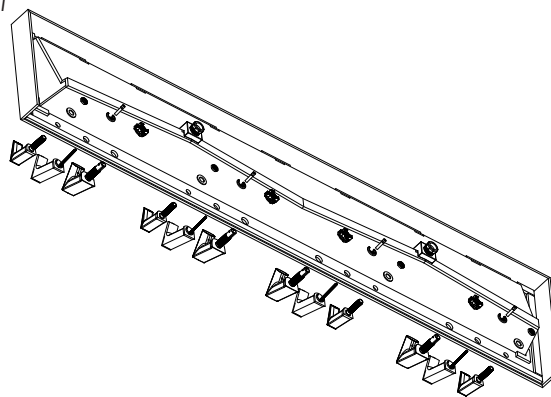
 - a. Using mounting fasteners secure Vertical Enclosure (2b) onto backing, making sure that the top of Vertical Enclosure (2b) is 33 inches (Corian®), 32 3/4 inches (Quartz) above finished floor. (ADA specifications)

Faucet, Hand Dryer and Soap Dispenser Installation (Four Station)

Notes:

- For ease of deck installation, leave the deck lying on its front (if no bag hooks are installed) or lying on its back and install component spouts.
- Components shown for reference only.

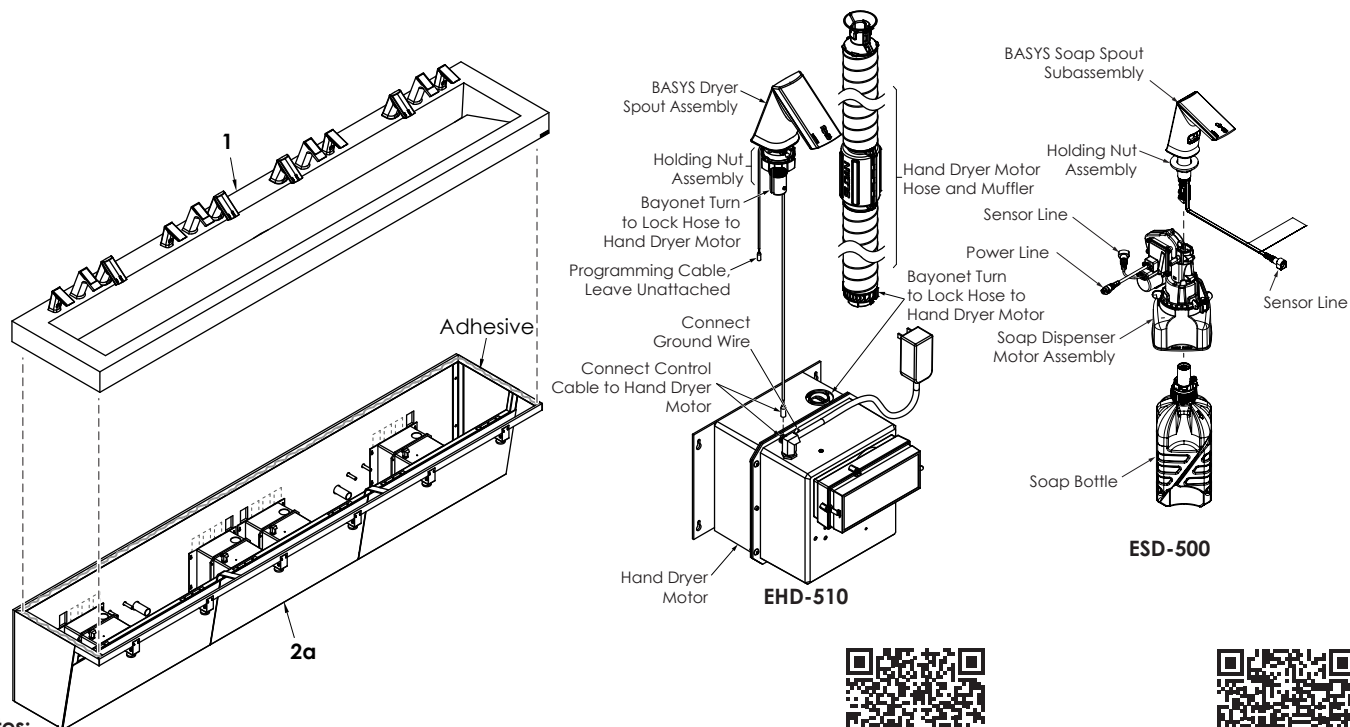
Figure 31



7. Install Faucet, Soap Dispenser and Hand Dryer (Figure 31) onto sink according to manufacturer's instructions provided with components. (See QR codes below for link to Sloan instructions.)

Sink Installation (Four Station)

Figure 32



Notes:

- Hand Dryer and Soap Dispenser, refer to manufacturer instructions provided with component.
- No change with vertical enclosure.

8. Install Deck (1, Figure 32) onto Angled Enclosure (2a).

Note: Back of Deck (1) may require scribing to finished wall.

- a. Apply adhesive (not supplied) to the top of Enclosure (2a).
- b. Lower Deck (1) onto Angled Enclosure (2a). Shim all gaps between Angled Enclosure (2a) and Deck (1).
- c. Connect Hand Dryer Motor Hose to Hand Dryer Motor.

Note: DO NOT connect power unit until air spout is completely installed.

- d. Connect Soap Dispenser Lines to Soap Dispenser.
- e. Install all water connections and drain lines.

9. Close access door on Angled Enclosure (2a).



[Scan for EHD Installation Instructions](#)



[Scan for ESD Installation Instructions](#)