

**CODE NUMBER**

34001011

**DESCRIPTION**

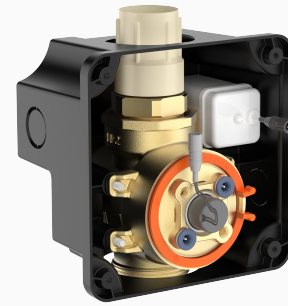
4-4.5 / 2-2.5 Lpf (1.06-1.2 / 0.53-0.6 gpf), Filtered, Polished Chrome Finish, Fixture Connection Rear Spud, Dual Flush, Battery with Hardwired Option, TruFlush Concealed Manual Electronic Hardwired Water Closet Flushometer.

**DETAILS**

- Full Flush Volume: 4-4.5 Lpf (1.06-1.2 gpf)
- Reduced Flush Volume: 2-2.5 Lpf (0.53-0.6 gpf)
- Finish: Polished Chrome (CP)
- Power Type: Battery with Hardwired Option
- Battery Life: 5 years
- Bypass: Filtered
- Valve Body Material: Semi-red Brass
- Fixture Type: Water Closet
- Fixture Connection: Rear Spud

**FEATURES**

- TruFlush Electronic Dual Flush valve provides accurate flush volume
- Piston color-coded by flush volume for easy identification
- High efficiency with low consumption
- Electronic Solenoid actuated valve
- Heavy-duty rough brass and corrosion-resistant valve body
- Replaceable piston assembly accessible through front wall plate
- Concealed shut off sleeve adjusts flow rate
- Safety collar locks activation assembly to prevent access of internal components without shutting off water
- Piston with inbuilt filter to ensure consistent, long-lasting performance

**RECOMMENDED SPECIFICATION**

Valve shall be concealed with front access wall plate smaller than 7" x 7" and shall have integrated control stop. Valve shall be in compliance with ASTM Alloy Classification for Semi-Red Brass.

**ELECTRICAL SPECIFICATIONS**

- Arming Delay: 8 seconds
- Battery Life: 5 years
- Control Circuit: 6 VDC Input Solid State
- Solenoid Operator: 6 VAC
- Transformers (specify separately):
  - EL-386 (Up to 1 flushometer)
  - EL-451 (Up to 6 flushometers)

**VALVE OPERATING PRESSURE (FLOWING)**

20-80 PSI (138-552 kPa). Specific fixtures may require greater minimum flowing pressure - consult manufacturer requirements.

**DOWNLOADS**

- [TRF-8024-N, 8036-N Valve Installation Guide](#)
- [TRF Electronic Dual Flush Repair & Maintenance Guide - India](#)

**NOTES**

All information contained within this document subject to change without notice.

[Find a compatible urinal](#) for this flushometer.

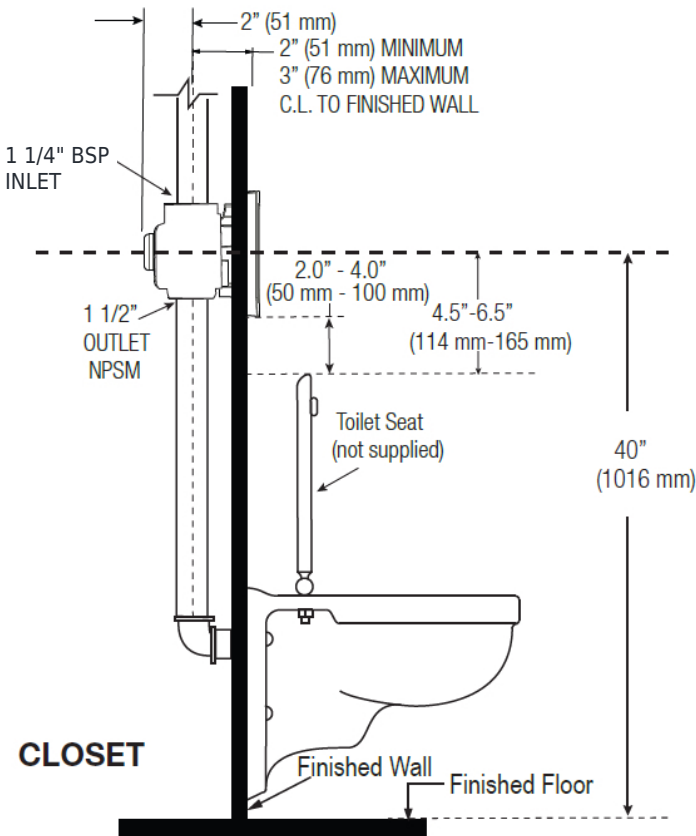
[Find a compatible water closet](#) for this flushometer.

Battery life varies according to actual usage and restroom conditions.

Sloan 10500 Seymour Ave, Franklin Park, IL 60131

Phone: 800.982.5839 • Fax: 800.447.8329 • [sloan.com](http://sloan.com)

**ROUGH-IN**



NOTE : Flush Connections shown in dotted lines not included.

