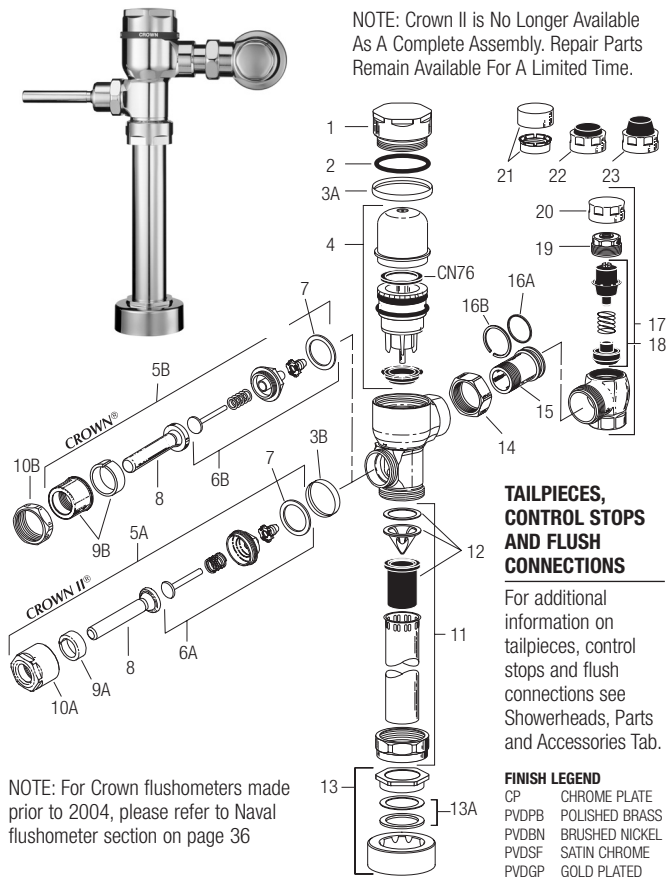


Crown® Flushometer

Crown® II (DISCONTINUED)



TAILPIECES, CONTROL STOPS AND FLUSH CONNECTIONS

For additional information on tailpieces, control stops and flush connections see Showerheads, Parts and Accessories Tab.

FINISH LEGEND

| | |
|-------|----------------|
| CP | CHROME PLATE |
| PVDPB | POLISHED BRASS |
| PVDBN | BRUSHED NICKEL |
| PVDSF | SATIN CHROME |
| PVDGP | GOLD PLATED |

NOTE: For Crown flushometers made prior to 2004, please refer to Naval flushometer section on page 36

PARTS LIST

| Item No. | Code No. | Part No. | Description |
|----------|----------|-----------|--|
| 1. | 0332006 | CR-116 | CP Cover |
| 2. | 0332030 | CR-133 | Cover O-ring |
| 3. | 0332045 | CR-132-A | CP Handle and Cover Trim Ring Kit (Includes items 3A & 3B) (CROWN® II ONLY) |
| | 0332046 | CR-132-A | PVDPB Handle and Cover Trim Ring Kit (Includes items 3A & 3B) (CROWN® II ONLY) |
| | 0332048 | CR-132-A | PVDBN Handle and Cover Trim Ring Kit (Includes items 3A & 3B) (CROWN® II ONLY) |
| | 0332049 | CR-132-A | PVDSF Handle and Cover Trim Ring Kit (Includes items 3A & 3B) (CROWN® II ONLY) |
| 3A. | 0332035 | CR-134 | Cover Trim Ring (CROWN® ONLY) |
| | 0332009 | CR-120 | PVDPB Cover Trim Ring (CROWN® II ONLY) Discontinued |
| | 0332032 | CR-120 | PVDGP Cover Trim Ring (CROWN® II ONLY) Discontinued |
| | 0332033 | CR-120 | PVDBN Cover Trim Ring (CROWN® II ONLY) Discontinued |
| | 0332034 | CR-120 | PVDSF Cover Trim Ring (CROWN® II ONLY) Discontinued |
| 3B. | 0332005 | CR-113 | PVDPB Handle Trim Ring (CROWN® II ONLY) Discontinued |
| | 0332028 | CR-113 | PVDBN Handle Trim Ring (CROWN® II ONLY) Discontinued |
| | 0332029 | CR-113 | PVDSF Handle Trim Ring (CROWN® II ONLY) Discontinued |
| 4. | 3332003 | CR-1004-A | Piston Kit – 1.6 gpf (6.0 Lpf) Water Closet |
| | 3332013 | CR-1011-A | Piston Kit – 1.28 gpf (4.8 Lpf) Water Closet |
| | 3332004 | CR-1005-A | Piston Kit – 1.0 gpf (3.8 Lpf) Urinal |
| | 3332005 | CR-1006-A | Piston Kit – 0.5 gpf (1.9 Lpf) Urinal |
| | 3332017 | CR-1015-A | Piston Kit – 0.25 gpf (1.0 Lpf) Urinal |
| | 3332016 | CR-1014-A | Piston Kit – 0.125 gpf (0.5 Lpf) Urinal |

ALL PISTON KITS INCLUDE MAIN SEAT (see item 4 table to right) AND CR-124-A INSIDE COVER ASSEMBLY AS SHOWN IN ITEM 4. PISTON KIT COMPONENTS TABLE TO THE RIGHT.

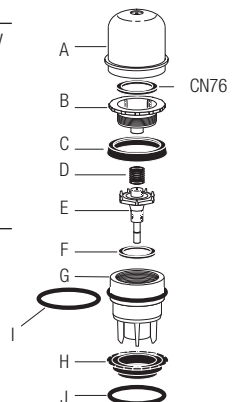
Item

| No. | Code No. | Part No. | Description |
|------|--|-----------|--|
| 5A. | 0302353 | B-30-A | ADA-Compliant Handle Assembly CP |
| 5B. | 0302390 | B-73-A | ADA-Compliant Handle Assembly CP |
| 6A. | 3332006 | CR-1007 | Handle Repair Kit |
| 6B. | 3302306 | B-51-A | Handle Repair Kit |
| 7. | 5301139 | A-31 | Handle Gasket – 48/pkg |
| 8. | 0302389 | B-74-A | Handle Grip Sub-Assembly ADA |
| 9A. | 0302309 | B-56 | Sleeve |
| 9B. | 0302109 | B-7-A | CP Socket Assembly |
| 10A. | 0302354 | B-53 | Handle Socket |
| 10B. | 0301082 | A-6 | CP Handle Coupling |
| 11. | 3393004 | V-600-AA | 3/4" x 9" (19 x 229 mm) Vacuum Breaker - 6/pkg |
| | 3393006 | V-600-AA | 1-1/4" x 9" (32 x 229 mm) Vacuum Breaker - 6/pkg |
| | 3393007 | V-600-AA | 1-1/2" x 9" (38 x 229 mm) Vacuum Breaker - 6/pkg |
| 12. | 3323182 | V-651-A | High Back Pressure Vacuum Breaker Repair Kit |
| 13. | 3332000 | CR-1008-A | 3/4" (19 mm) Spud Coupling Assembly |
| | 3332001 | CR-1009-A | 1-1/4" (32 mm) Spud Coupling Assembly |
| | 3332002 | CR-1010-A | 1-1/2" (38 mm) Spud Coupling Assembly |
| 13A. | SEE SLIP JOINT GASKETS AND RINGS TABLE ON BOTTOM, PAGE 25 | | |
| 14. | 0308676 | H-550 | Stop Coupling |
| 15. | 0308801 | H-551-A | Adjustable Tailpiece (2-1/16" (52 mm) long) |
| 16A. | 5308696 | H-553 | O-ring – 24/pkg |
| 16B. | 5308381 | H-552 | Locking Ring – 12/pkg |
| 17. | 0388000 | H-700-A | 1" Screwdriver Bak-Chek® Stop CP |
| | 0388001 | H-700-A | 3/4" Screwdriver Bak-Chek® Stop CP |
| 18. | 3308853 | H-541-ASD | Control Stop Repair Kit† |
| | 3308856 | H-543-ASD | Control Stop Repair Kit† for 3/4" Stops H-600, H-640 |
| 19. | 0308612 | H-622 | CP Bonnet † |
| | 0308843 | H-577 | CP Bonnet † – DISCONTINUED |
| 20. | 3308840 | H-573-A | Locking Vandal Resistant Control Stop Cap includes H-573 Stop Cap CP and H-648 Friction Ring † |
| | 0308848 | H-582 | Locking Vandal Resistant Control Stop Cap CP † |
| 21. | 3308651 | H-651 | Vandal Resistant Control Stop Cap Assembly † |
| 22. | 3308866 | H-574 | Control Stop Cap w/Bumper (-YO Variation) † |
| 23. | 3308867 | H-576 | Control Stop Cap w/Extended Bumper (-YG Variation)† |
| 24. | 3388017 | H-1017 | Flow Control (HEU Only) (Not Shown) |
| 25. | 5314243 | CN-76 | Cover Gasket (Pack of 12) |
| — | 0305190 | EL-190-A | Handle Adapter (manual only) for Optima® version |

† For use w/H-700-A 1" & 3/4" and H-600-A 1" Screwdriver Bak-Chek® Control Stops.
‡ For use w/H-600-A 3/4" Screwdriver Bak-Chek® Control Stops.

ITEM 4. PISTON KIT COMPONENTS

| Item | Code No. | Part No. | Description |
|------|----------|----------|---|
| A. | *** | CR-124-A | Inside Cover Sub-Assembly |
| B. | *** | *** | Piston Cover |
| C. | 5332095 | CR-68-A | Molded Cup – 12/pkg |
| D. | 5328019 | SH-406 | Spring – 12/pkg |
| E. | *** | *** | Relief Valve |
| F. | 0307116 | G-95 | Relief Valve Seat |
| G. | *** | *** | Piston Body |
| H. | *** | CR-125-A | Main Seat – 6/pkg (1.0 gpf) |
| | *** | CR-170-A | Main Seat – 6/pkg (0.125 gpf, 0.25 gpf and 0.5 gpf) |
| I. | 0307210 | G-85 | Filter O-ring |
| J. | 0332124 | CR-169 | O-ring (for use with CR-125-A main seat ONLY)† |
| | 5308958 | H-589 | O-ring* 6/pkg |



* Components are NOT interchangeable
*** Indicates component is NOT available separately

Crown® Flushometer

Crown® II (DISCONTINUED)

TROUBLESHOOTING GUIDE

IMPORTANT: The CROWN® flushometer is engineered for quiet operation. Excessive water flow creates noise, while too little water flow may not satisfy the needs of the fixture. Proper adjustment is made when plumbing fixture is cleansed after each flush without splashing water out from the lip AND a quiet flushing cycle is achieved.

Never open control stop to where the flow from the valve exceeds the flow capability of the fixture. In the event of a valve failure, the fixture must be able to accommodate a continuous flow from the valve.

ATTENTION INSTALLERS: With the exception of the control stop inlet, **DO NOT USE** pipe sealant or plumbing grease on any valve component or coupling! To protect the chrome or special finish of Sloan flushometers, **DO NOT USE** toothed tools to install or service these valves. Use our A-50 Super Wrench or other smooth-jawed wrench to secure couplings. Regulations for low consumption fixtures (1.6 gpf/6.0 Lpf closets and 1.0 gpf/3.8 Lpf urinals) prohibit use of higher flush volumes.

1. Valve DOES NOT function.

- A. Control stop or main valve is closed. Open control stop or main valve.
- B. Handle assembly is worn. Install Sloan handle repair kit, or replace handle.
- C. Relief valve is worn and sticking in UP position. Replace piston.

2. Insufficient volume of water to adequately siphon fixture.

- A. Control stop not open enough. Adjust control stop for desired delivery of water.
- B. Urinal piston parts inside a closet valve. Replace piston parts with proper closet piston.
- C. Low consumption valve installed on a non-low consumption fixture. Replace with proper flushometer. Crown® flushometers are not available with flush volume higher than 1.6 gpf/6.0 Lpf.
- D. Inadequate volume or pressure at supply. Increase water pressure or supply (flow) to valve. Consult factory for assistance.

3. Length of flush too short (short flushing) or valve closes off immediately.

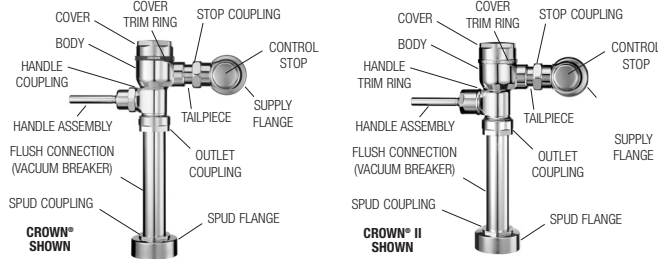
- A. Piston assembly is not hand-tight. Screw the assembly hand-tight.
- B. Enlarged bypass orifice from corrosion or damage. Install NEW inside parts kit to correct problem and update flushometer.
- C. Urinal piston in closet flushometer. Replace piston with proper closet piston.
- D. Low consumption piston installed in non-low consumption fixture. Replace with proper flushometer. Crown® flushometers are not available with flush volume higher than 1.6 gpf (6.0 Lpf).
- E. Handle assembly worn. Install Sloan handle repair kit.

4. Length of flush too long (long flushing) or fails to close off.

- A. Piston is not seating properly or bypass orifice is clogged because of foreign material, or bypass orifice is clogged by an invisible gelatinous film from "over-treated" water. Disassemble the working parts and wash thoroughly. NOTE: Size of the orifice in the bypass is of utmost importance for the proper metering of water into the upper chamber of the valve. DO NOT enlarge or damage this orifice. Replace piston if cleaning does not correct problem.
- B. Line pressure has dropped and is not sufficient to force relief valve to seat. Shut off all control stops until pressure has been restored, then open them again.
- C. Main seat is fouled with debris or is worn. Clean or replace main seat.

5. Leaking at handle assembly.

- A. The B-85 seal may have deteriorated. Install new B-85 seal. NOTE: The B-85 seal will easily slide onto the bushing if it is wet.
- B. Handle gasket has been omitted. Install A-31 handle gasket or Sloan handle repair kit.
- C. Valve handle bushing is worn. Install Sloan handle repair kit.



DISCONTINUED

CARE AND CLEANING

DO NOT USE abrasive or chemical cleaners (including chlorine bleach) to clean flushometers that may dull the luster and attack the chrome or special decorative finishes. Use **ONLY** mild soap and water, then wipe dry with clean cloth or towel.

While cleaning the bathroom tile, the flushometer should be protected from any splattering of cleaner. Acids and cleaning fluids will discolor or remove chrome plating.

| Piston Identification Chart | Water Closet | | Urinal | | | |
|-----------------------------------|-------------------|--------------------|-------------------|-------------------|--------------------|---------------------|
| | CR-1004-A | CR-1011-A | CR-1005-A | CR-1006-A | CR-1015-A | CR-1014-A |
| Piston Color | 3332003 | 3332013 | 3332004 | 3332004 | 3332017 | 3332016 |
| Cap Color | 1.6 gpf (6.0 Lpf) | 1.28 gpf (4.8 Lpf) | 1.0 gpf (3.8 Lpf) | 0.5 gpf (1.9 Lpf) | 0.25 gpf (1.0 Lpf) | 0.125 gpf (0.5 Lpf) |
| Stem Grooves | | | | | | |
| Barrel (Large Ribs or Small Ribs) | | | | | | |
| Cap Color | Green | Deep Purple | Yellow | Red | Burgundy | Pink |
| Piston Color | Green | Green | Clear | Burgundy | Burgundy | Burgundy |
| Barrel | Large Ribs | Large Ribs | Small Ribs | — | — | — |
| Seat Color | Green | Green | Black | Burgundy | Burgundy | Burgundy |
| Grooves | 2 | 0 | 1 | 2 | 1 | 3 |

When assistance is required, please contact Sloan Technical Support at: 1-888-SLOAN-14 (1-888-756-2614).