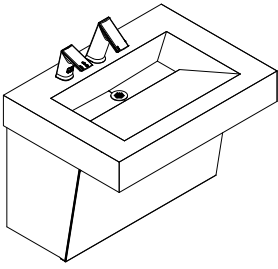
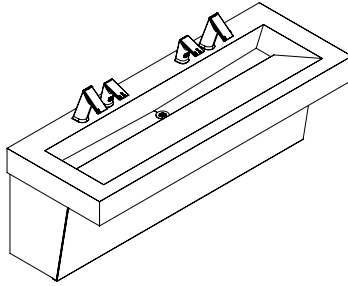


# Sloan Sink Systems Designer Series, Gradient

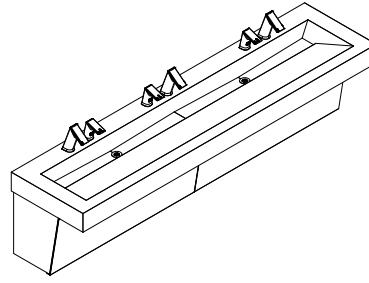
One, Two, Three and Four Station Corian® or Quartz Lavatory System



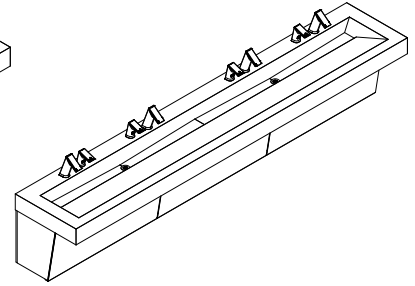
**DSG-81000**  
Deck Sink Lavatory System



**DSG-82000**  
Deck Sink Lavatory System



**DSG-83000**  
Deck Sink Lavatory System



**DSG-84000**  
Deck Sink Lavatory System

## ⚠ Important



Read this entire installation manual to ensure proper installation. When finished with the installation, file this manual with the owner or maintenance department.

**Compliance and conformity to local codes and ordinances is the responsibility of the installers.**



Separate parts from packaging and make sure all parts are accounted for before discarding any packaging material. If any parts are missing, do not begin installation until all parts are obtained.



Make sure that all water supply lines have been flushed and completely turned off before starting the installation. Debris in supply lines can cause valves to malfunction.



Turn off electrical power to the electrical outlets, then unplug units prior to installation. Electrical power **MUST** remain off until installation is complete.



Installer's hardware must be appropriate for wall construction. Wall anchors and mounting fasteners **MUST** have a minimum pull-out rating of 1,000 lbs for 3/8" hole.



For standard height mounting, **DO NOT** exceed the recommended 34 inch distance from the top of the sink deck to the finished floor. To meet ADA requirements the sink deck cannot not exceed the 34 inch maximum height dimension.



Wear all proper safety equipment prior to installation

## Tools and Supplies Required for Installation

- Electric drill for drilling anchor holes
- Standard sockets, basin wrench, and open end wrench set for installing anchoring fasteners and faucets
- Pipe wrench for installing drain lines
- Phillips and straight blade screwdrivers
- Tubing cutter
- Level
- Carpenter's square
- Caulk gun
- 1/2" NPT hot/cold or tempered supply piping
- 1 1/2" NPT drain piping including p-trap
- Adhesive: Loctite® PL Premium® FAST GRAB Polyurethane Construction Adhesive, or equivalent
- 110 volt GFCI protected electrical outlet for 100-120 VAC plug-in transformer
- Screen filter(s) included with faucet(s)
- Backing supplied by others to meet local codes

## Prior to Installation

### CAUTION:

Adequate structural support in or behind the wall is required. Refer to the appropriate rough-in diagram for dry weight of sink. All electrical wiring is to be installed in accordance with national/local codes and regulations. Electrical outlets should be recessed and installed prior to installation. All plumbing should be installed in accordance with applicable codes and regulations. Before connecting flex hoses to supply stops, flush all water lines until water is clear. Hot and cold water supply lines/tempered supply line and drain lines. Recommended to have Control Stops on water supply lines in place prior to installation.

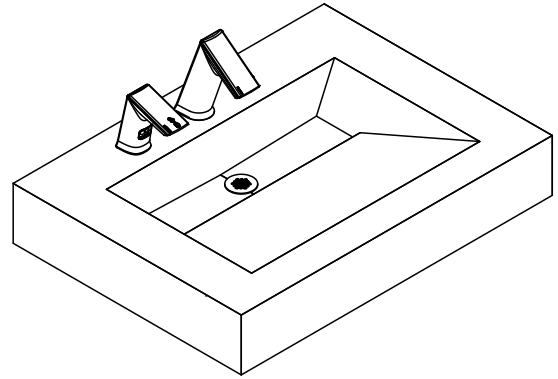
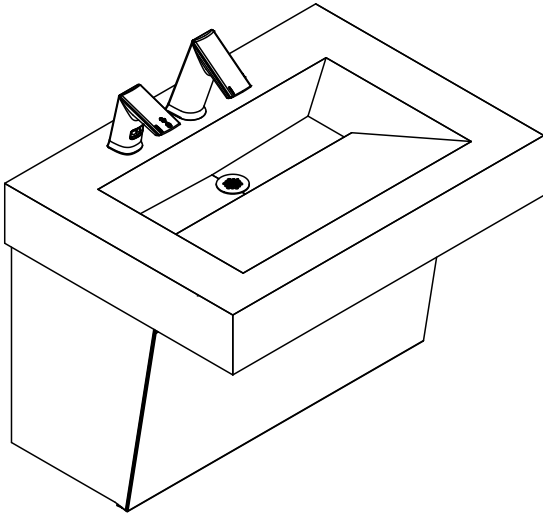
## Limited Warranty

Unless otherwise noted, Sloan Valve Company warrants its Products to be made of first class materials, free from defects of material or workmanship under normal use and to perform the service for which they are intended in a thoroughly reliable and efficient manner when properly installed and serviced, for a period of three years (1 year for SF Faucets, special finishes and PWT electronics and 30 days on PWT software) from date of purchase. During this period, Sloan Valve Company will, at its option, repair or replace any part or parts which prove to be thus defective if returned to Sloan Valve Company, at customer's cost, and this shall be the sole remedy available under this warranty. No claims will be allowed for labor, transportation or other incidental costs. This warranty extends only to persons or organizations who purchase Sloan Valve Company's products directly from Sloan Valve Company for purpose of resale. This warranty does not cover the life of the batteries.

**THERE ARE NO WARRANTIES WHICH EXTEND BEYOND THE DESCRIPTION ON THE FACE HEREOF. IN NO EVENT IS SLOAN VALVE COMPANY RESPONSIBLE FOR ANY CONSEQUENTIAL DAMAGES OF ANY MEASURE WHATSOEVER.**

# DSG-81000

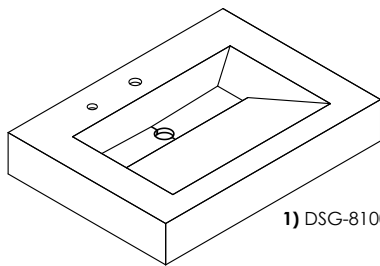
One Station Corian® or Quartz Lavatory Systems



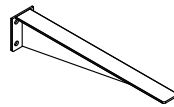
## Sink Location

Determine the appropriate wall location for the Lavatory System. Consider that hot and cold water supply lines, a drain line, and an electrical source (receptacle for hardwired faucets and hand dryer) will be required. Compare the physical dimensions of the Lavatory System to the space available for the installation. If wall is not load bearing, a carrier may be required behind the wall. Refer to the appropriate Rough-in diagrams for Lavatory System dimensions. Prior to Lavatory System installation, electric wiring, water supply and drain must be installed.

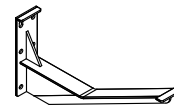
## DSG-81000, One Station Components



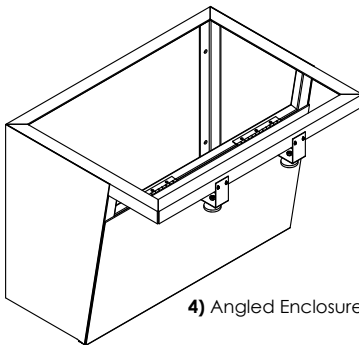
1) DSG-81000 Deck



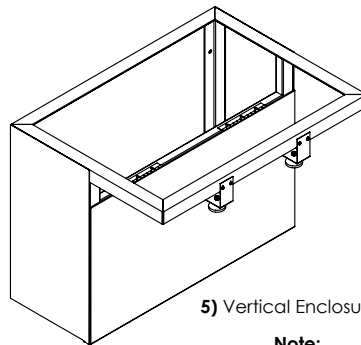
2) Side Bracket



3) Middle Bracket



4) Angled Enclosure



5) Vertical Enclosure



6) EFX Series Faucet



7) ESD 500 Soap Dispenser



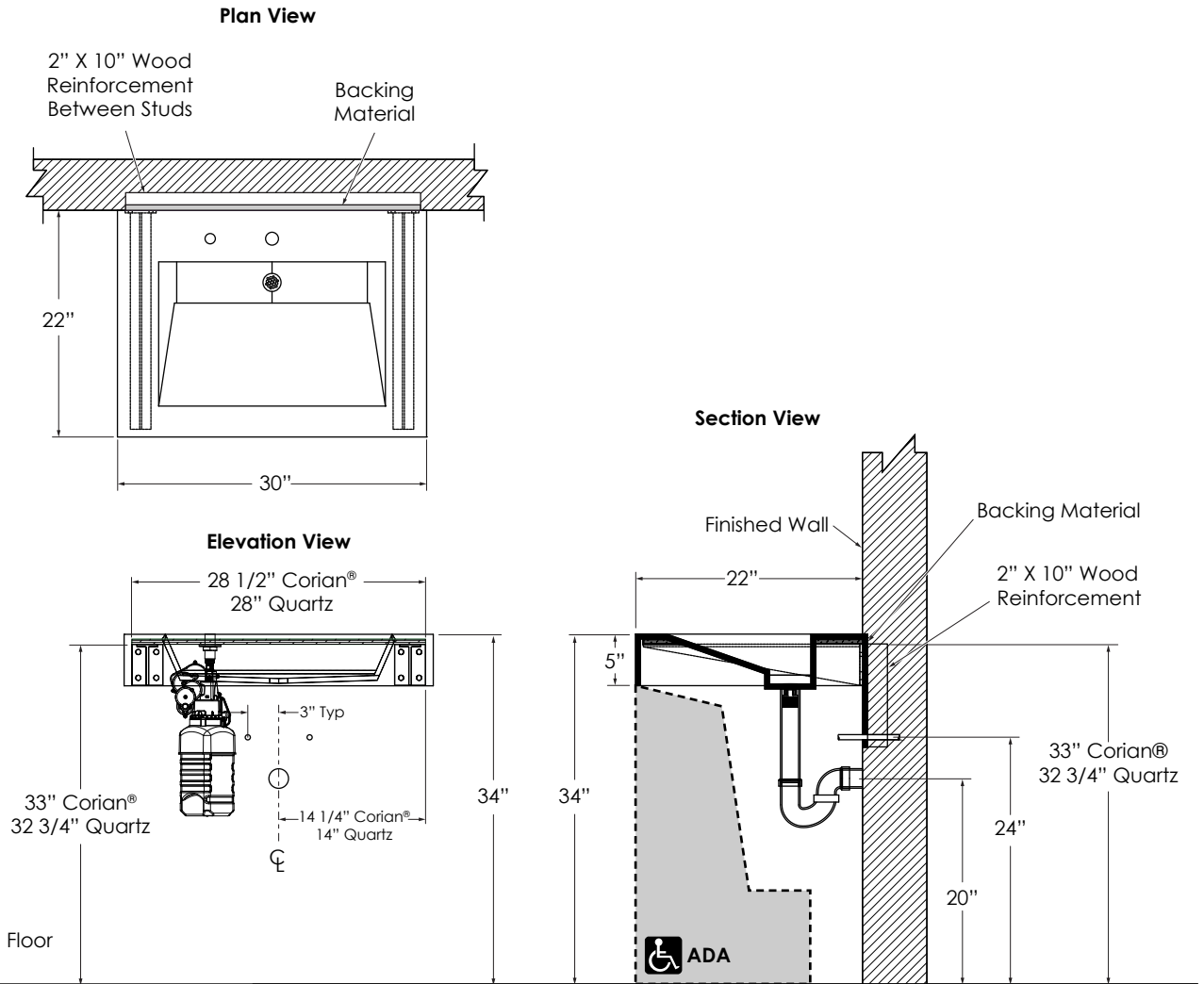
8) Grid Strainer

**Note:**  
Faucet and Soap dispenser models shown for reference, actual units will depend on what was selected at order entry.

## DSG-81000, One Station Component List

Description	Item Number	Quantity
Designer Series Gradient, One Station, Deck	1	1
Side Bracket (Mounting Option)	2	2
Middle Bracket (Mounting Option, not required for single station)	3	0
Angled Enclosure with Hold Open Door (Mounting Option)	4	1
Vertical Enclosure with Hold Open Door (Mounting Option)	5	1
EFX Series Faucet	6	1
Basys Style ESD 500 Soap Dispenser <b>Note:</b> If ESD-500 Selected – Area under the sink must be clear for proper installation access and soap bottle change (no outlets, stops, etc).	7	1
Grid Strainer	8	1

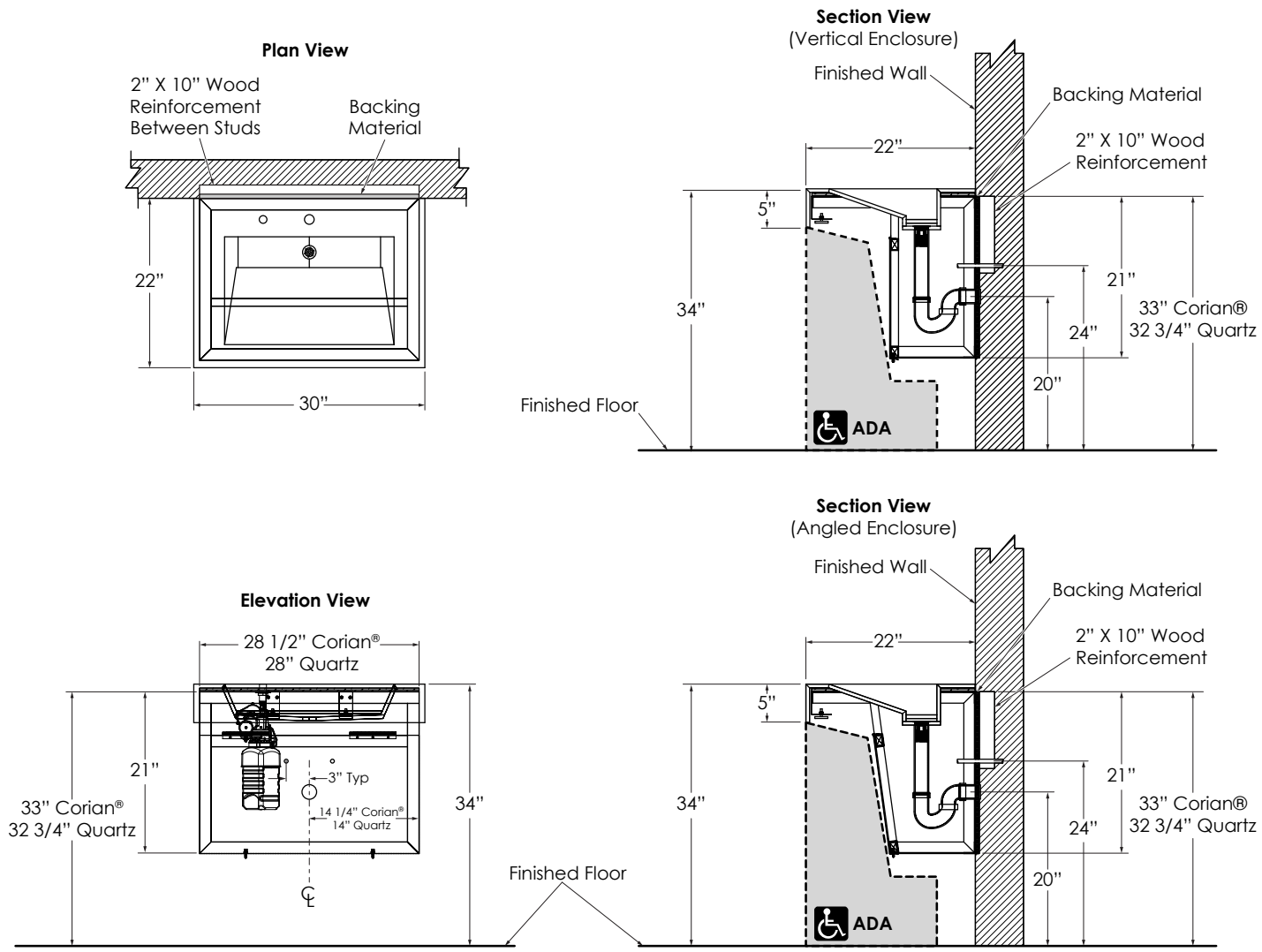
# Rough-In (One Station); Bracket Mounting Option



**Notes:** Backing material should equal thickness of drywall, 1/2" min.

Figure 1

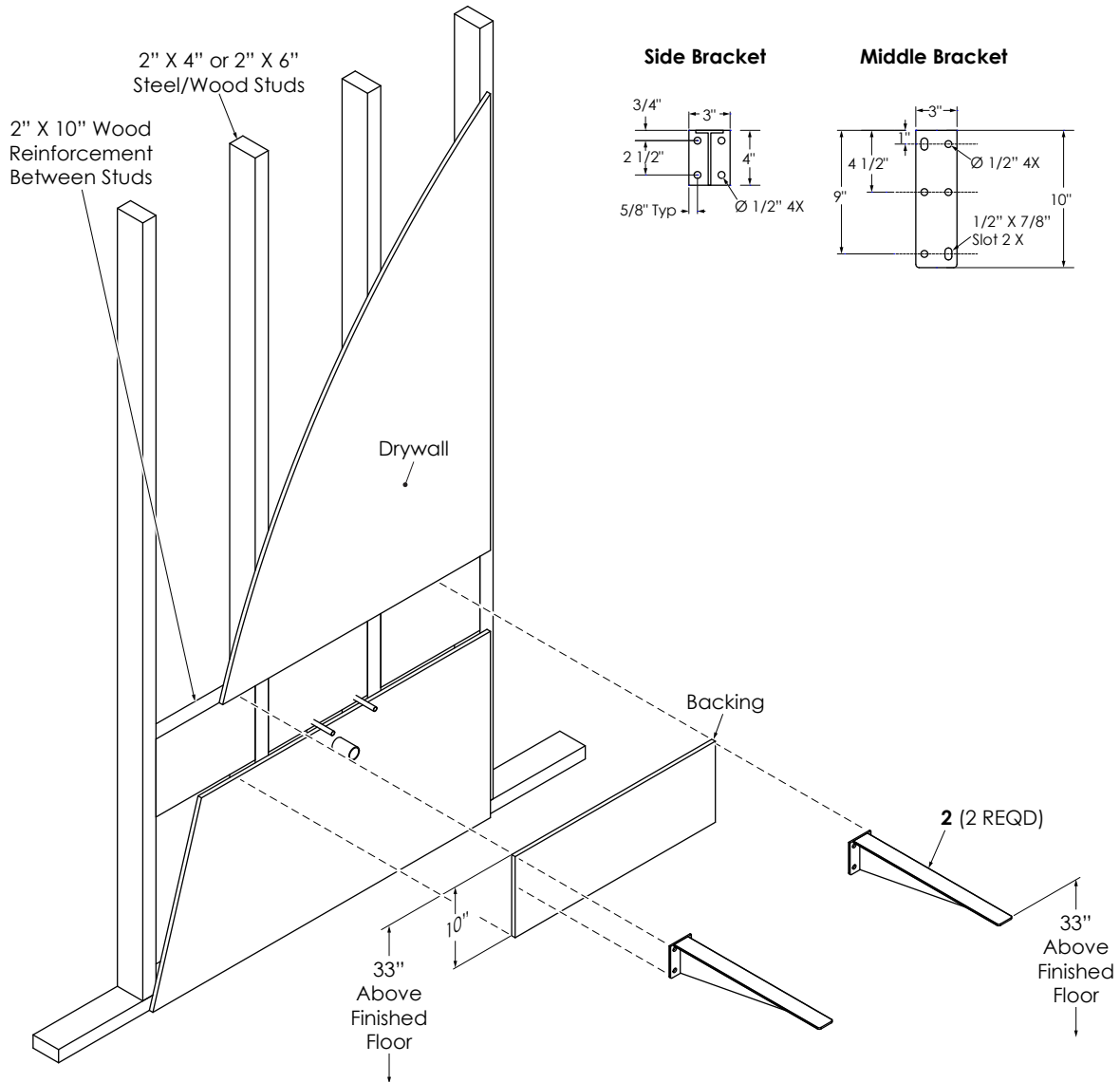
**Rough-In (One Station); Enclosure Mounting Option**



**Notes:** Backing material should equal thickness of drywall, 1/2" min.

Figure 2

## Backing and Bracket Installation (One Station)



**Note:** Due to manufacturer tolerances, all dimensions are for reference only.

Figure 3

1. Install Backing (Figure 3) onto wall studs.

**Note:** Backing supplied by others to meet local codes.

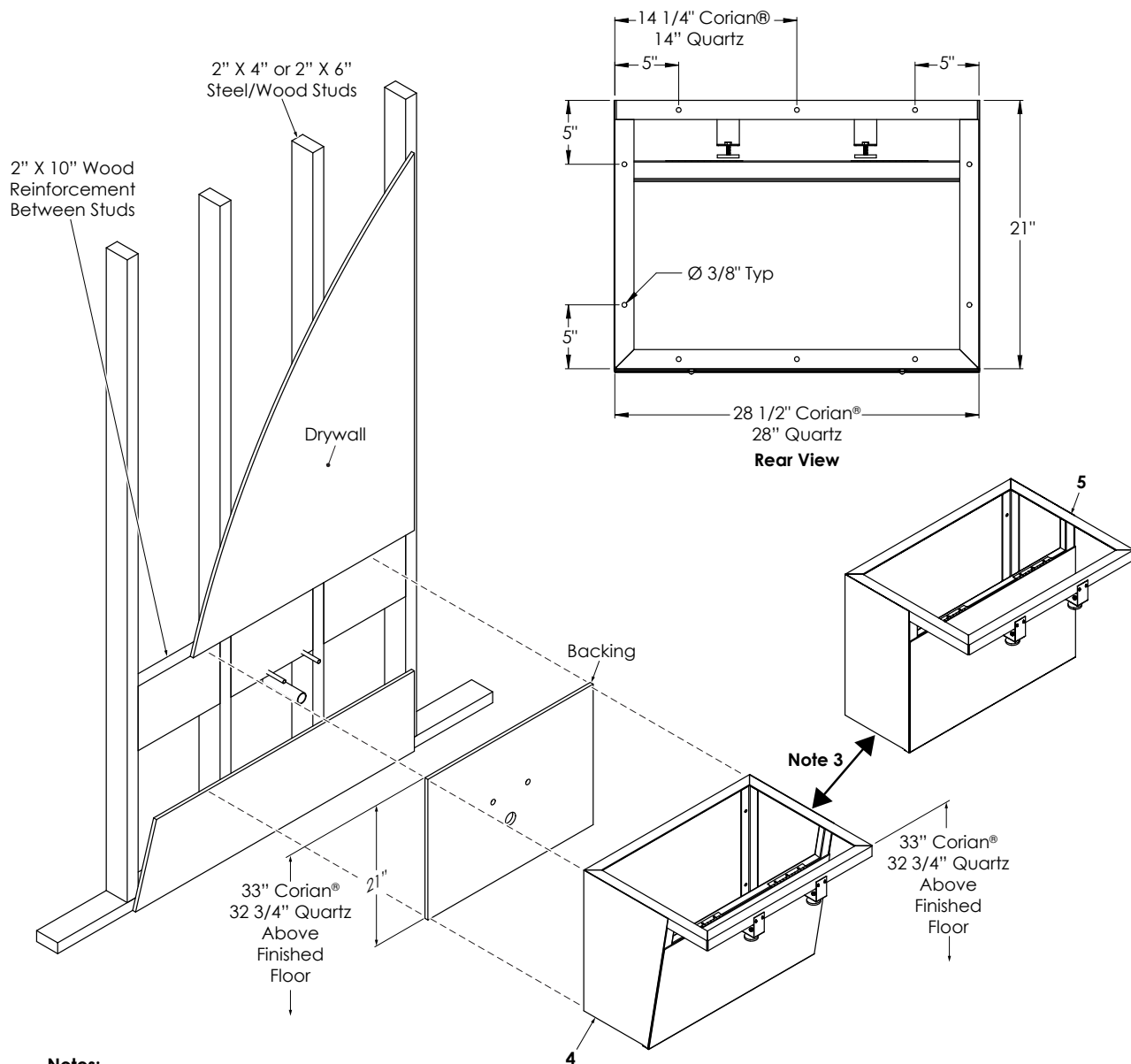
- a. If drywall is present, refer to rough-in, Figure 1, and cut out drywall window to the outer dimension of the side brackets at 10" high, 33" Corian®, 32 3/4" Quartz, above finished floor.
- b. Remove drywall window.
- c. Pre-drill/cut holes for plumbing and electrical as required.
- d. Install backing into cutout drywall window.

2. Mount the Side Brackets (2, Figure 3) to the backing. Ensure that Side Brackets (2) are level and the proper distance from the floor.

**Note:** Anchor side brackets to wall using 1,000 lb pull out mounting fasteners for 3/8" holes (not supplied).

- a. Using mounting fasteners (Not supplied) secure Side Brackets (2) onto backing, make sure that the top of Side Brackets (2) are 33 inches (Corian®), 32 3/4" (Quartz), above finished floor. (ADA specifications)

## Backing and Enclosure Installation (One Station)



### Notes:

1. Due to manufacturer tolerances, all dimensions are for reference only.
2. Enclosure must be shimmed to wall to ensure proper leveling and straightness.
3. Angled Enclosure and Vertical Enclosure are installed the same.

Figure 4

3. Install Backing (Figure 4) onto wall studs.

**Note:** Backing supplied by others to meet local codes.

- a. If drywall is present, refer to rough-in, Figure 2, measure outer dimensions of Enclosure (4 / 5) and cut out drywall window.
- b. Remove drywall window.
- c. Pre-drill/cut holes for plumbing and electrical.
- d. Install backing into cutout drywall window.

4. Refer to the template in (Figure 4), mount the Enclosure (4 / 5) to the backing. Ensure that Enclosure (4 / 5) is level and the proper distance from the floor.

**Note:** Anchor enclosure to wall using 1,000 lb pull out mounting fasteners for 3/8" holes (not supplied).

- a. Using mounting fasteners secure Enclosure (4 / 5) onto backing, making sure that the top of Enclosure (2) is 33 inches (Corian®), 32 3/4 inches (Quartz) above finished floor. (ADA specifications)

## Faucet and Soap Installation (One Station)

### Notes:

- For ease of deck installation, leave the deck lying on its front (if no bag hooks are installed) or lying on its back and install component spouts.
- Components shown for reference only.
- Install Faucet, Soap Dispenser spouts and grid strainer.

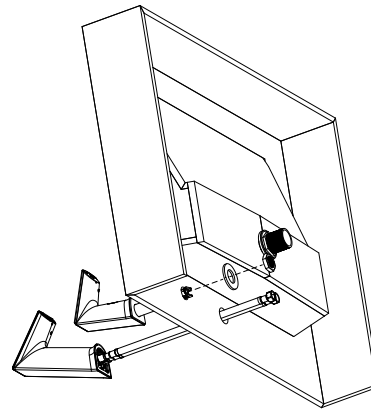


Figure 5

5. Install Faucet and Soap spouts, (Figure 5) onto sink according to manufacturer's instructions provided with component.

## Sink Installation (One Station); Bracket

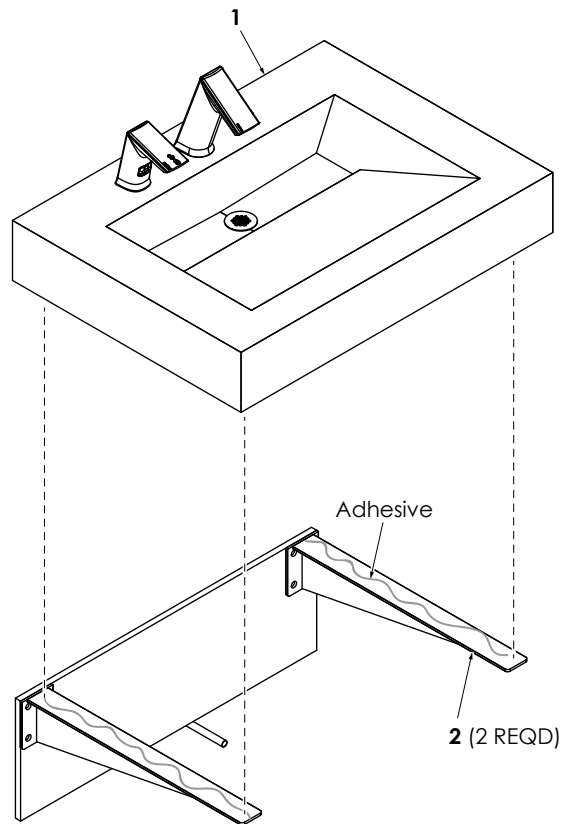


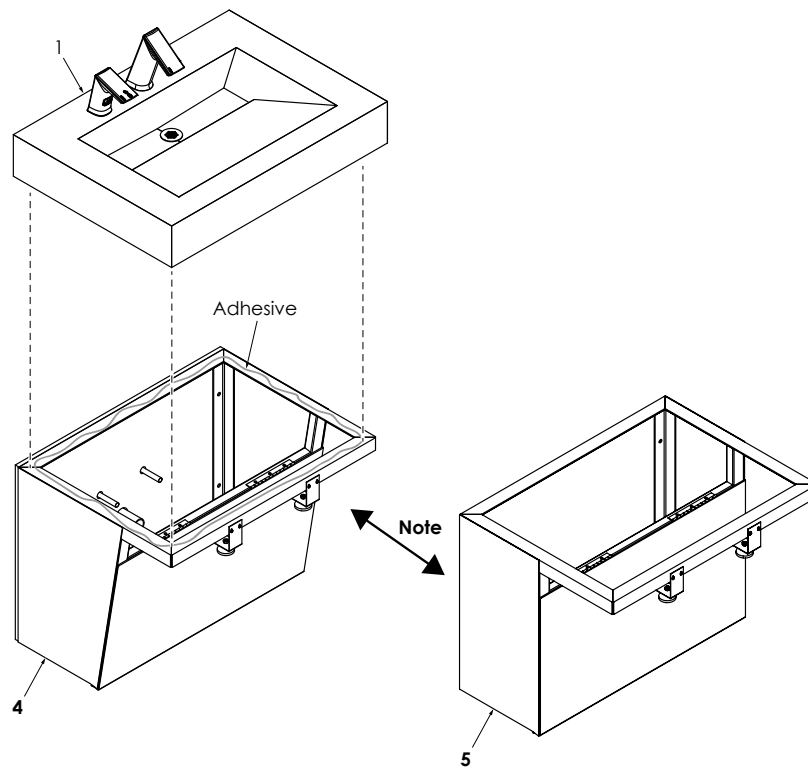
Figure 6

6. Install Deck (1, Figure 6) onto Side Brackets (2).

**Note:** Back of Deck (1) may require scribing to finished wall.

- a. Apply adhesive (not supplied) to the top of Side Brackets (2).
- b. Lower Deck (1) onto Side Brackets (2). Shim all gaps between Side Brackets (2) and Deck (1).
- c. Install all water connections and drain lines.

## Sink Installation (One Station); Enclosure



**Note:** Angled Enclosure and Vertical Enclosure, sink installation is the same.

Figure 7

7. Install Deck (1, Figure 7) onto Enclosure (4 / 5).

**Note:** Back of Deck (1) may require scribing to finished wall.

- Apply adhesive (not supplied) to the top of Enclosure (4 / 5).
- Lower Deck (1) onto Enclosure (4 / 5). Shim all gaps between Enclosure (4 / 5) and Deck (1).
- Install all water connections and drain lines.

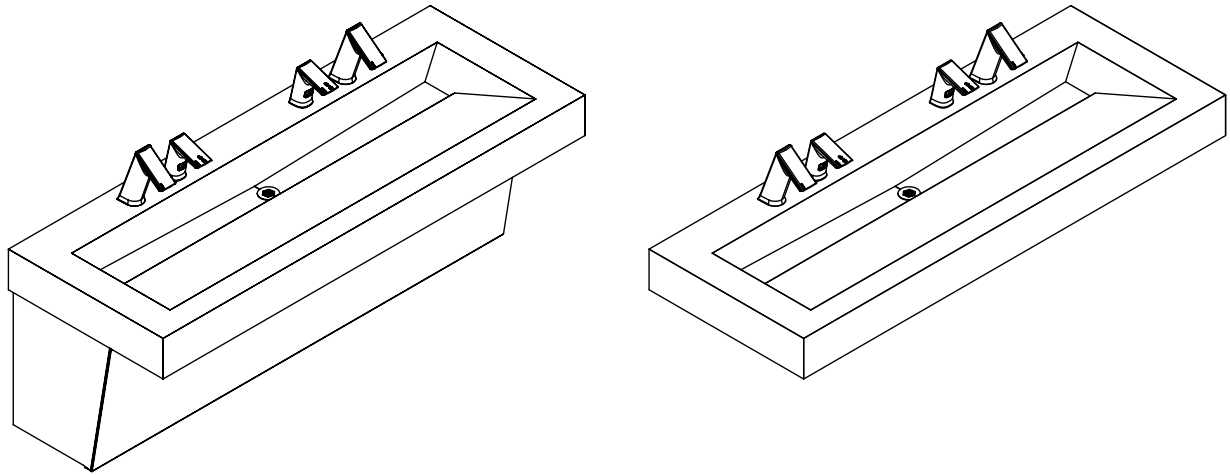
---

**End of DSG-81000 Installation Instructions**



# DSG-82000

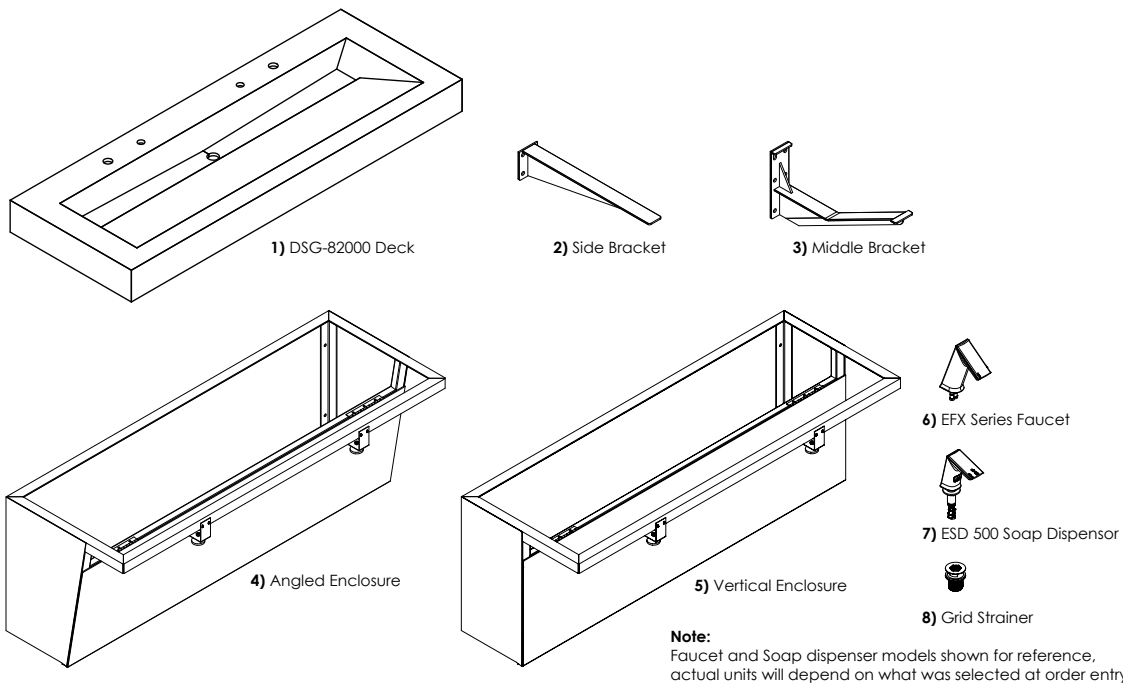
Two Station Corian® or Quartz Lavatory Systems



## Sink Location

Determine the appropriate wall location for the Lavatory System. Consider that hot and cold water supply lines, a drain line, and an electrical source (receptacle for hardwired faucets and hand dryer) will be required. Compare the physical dimensions of the Lavatory System to the space available for the installation. If wall is not load bearing, a carrier may be required behind the wall. Refer to the appropriate Rough-in diagrams for Lavatory System dimensions. Prior to Lavatory System installation, electric wiring, water supply and drain must be installed.

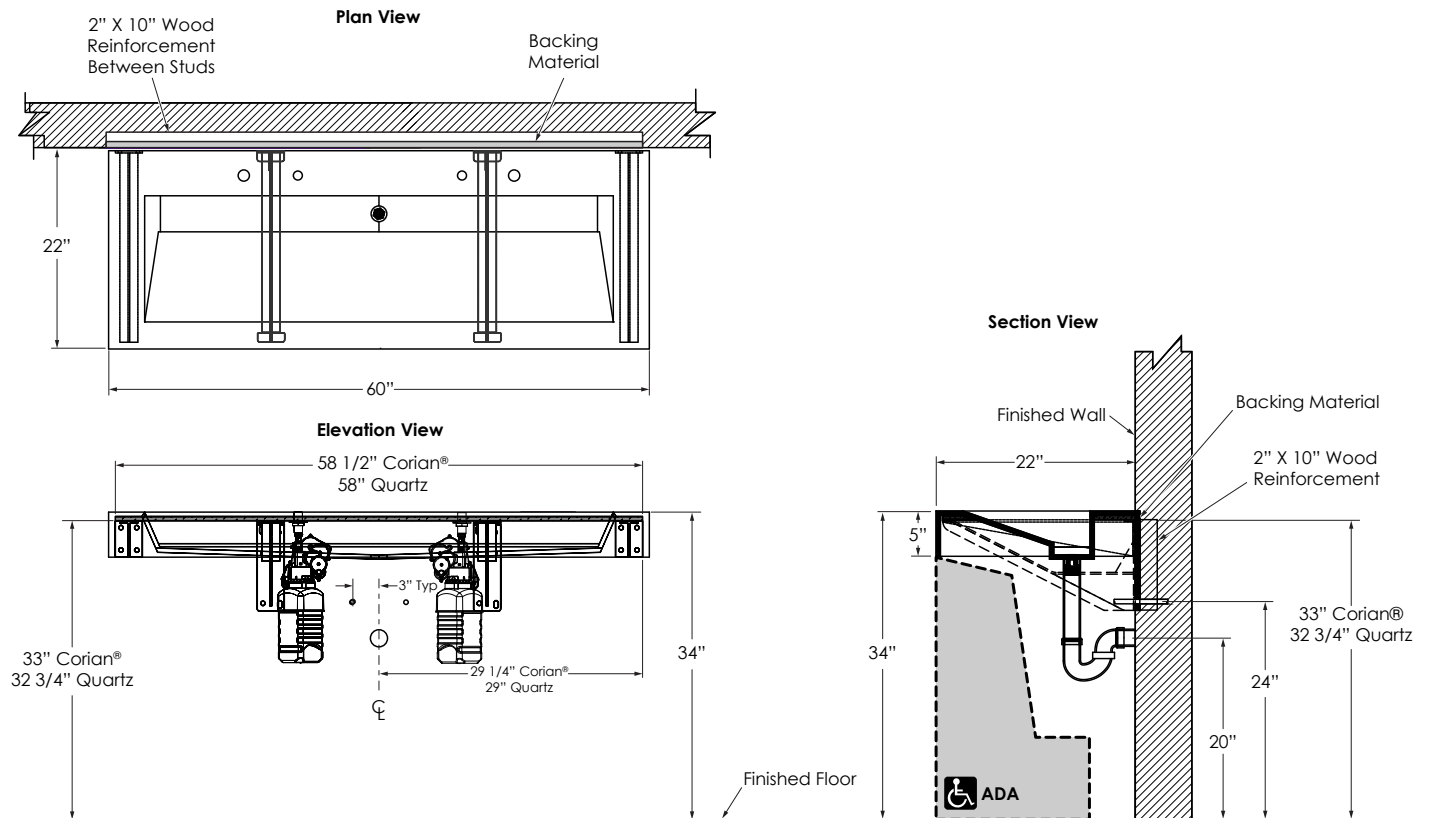
## DSG-82000, Two Station Components



## DSG-82000, Two Station Component List

Description	Item Number	Quantity
Designer Series Gradient, Two Station, Deck	1	1
Side Bracket <i>(Mounting Option)</i>	2	2
Middle Bracket <i>(Mounting Option, not required for single station)</i>	3	2
Angled Enclosure with Hold Open Door <i>(Mounting Option)</i>	4	1
Vertical Enclosure with Hold Open Door <i>(Mounting Option)</i>	5	1
EFX Series Faucet	6	2
Basys Style ESD 500 Soap Dispenser <b>Note:</b> If ESD-500 Selected – Area under the sink must be clear for proper installation access and soap bottle change (no outlets, stops, etc).	7	2
Grid Strainer	8	1

# Rough-In (Two Station); Bracket Mounting Option

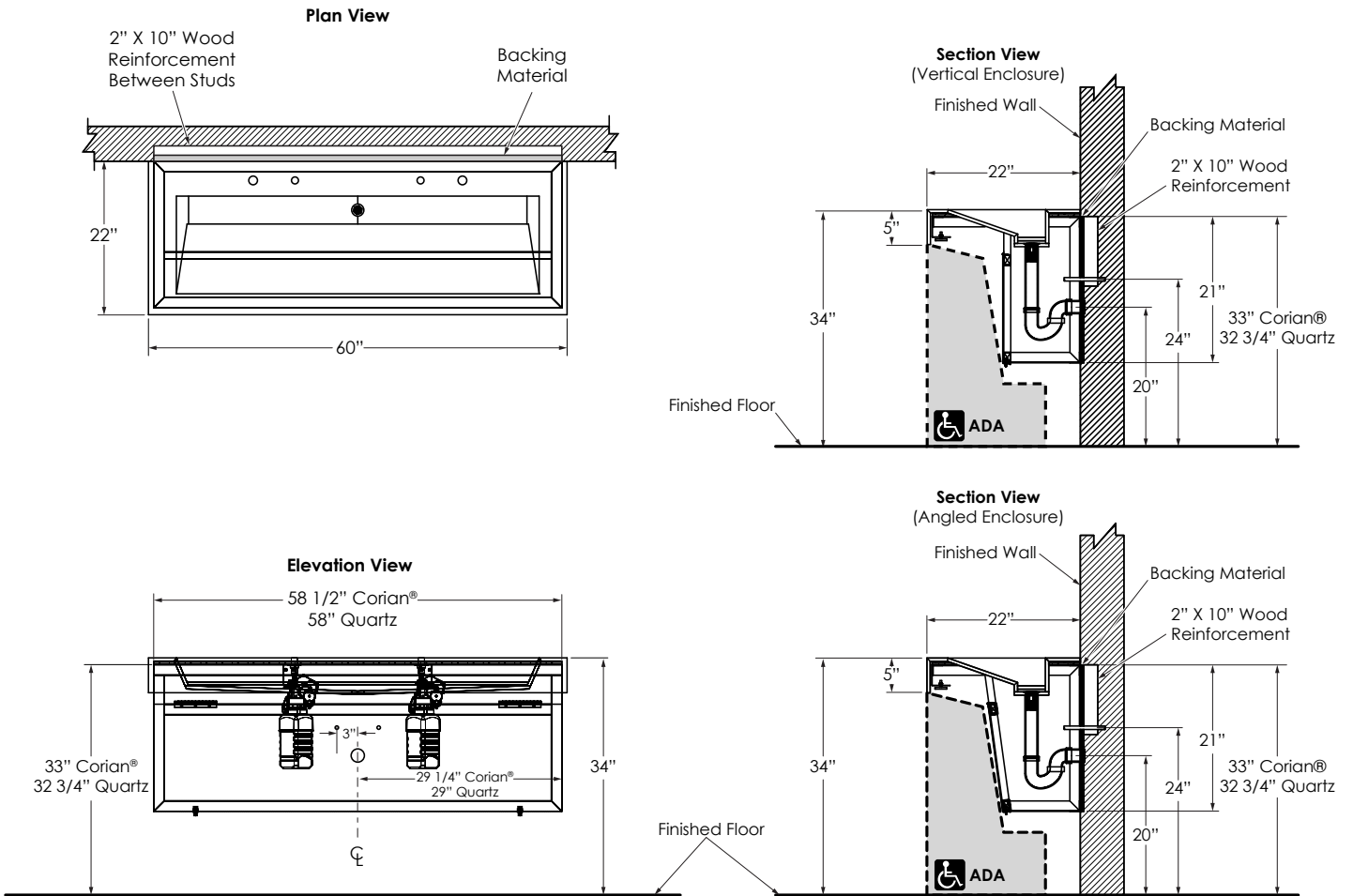


**Notes:**

1. Backing material should equal thickness of drywall, 1/2" min.
2. Mount brackets to allow clearance for plumbing, optimal spacing between all brackets is 18" ± 3".
3. Position the ESD 500 pump assembly as shown.

Figure 8

# Rough-In (Two Station); Enclosure Mounting Option



- Notes:**
1. Backing material should equal thickness of drywall, 1/2" min.
  2. Mount brackets to allow clearance for plumbing, optimal spacing between all brackets is 18" ± 3".
  3. Position the ESD 500 pump assembly as shown.

Figure 9

## Backing and Bracket Installation (Two Station)

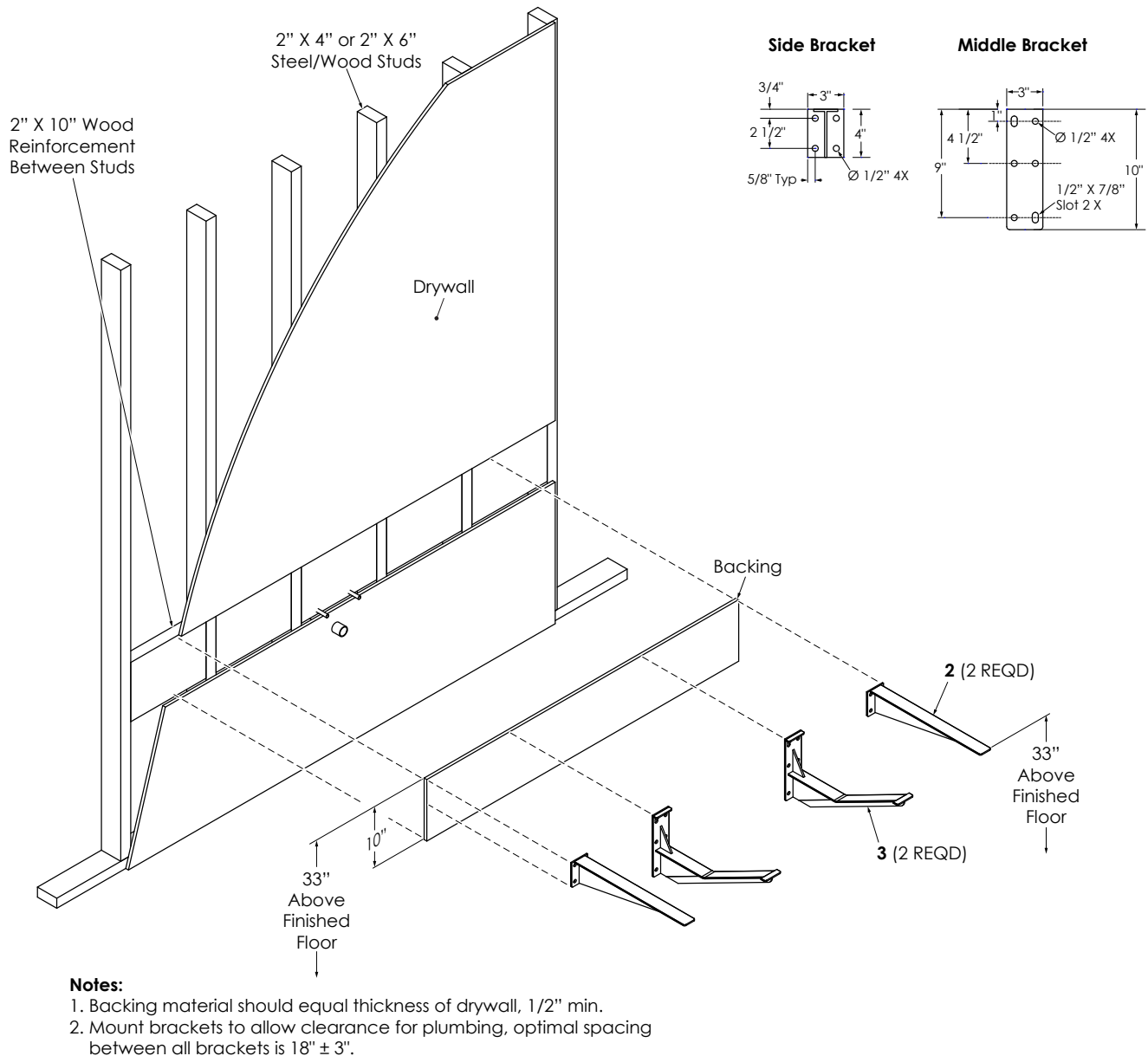


Figure 10

1. Install Backing (Figure 10) onto wall studs.
 

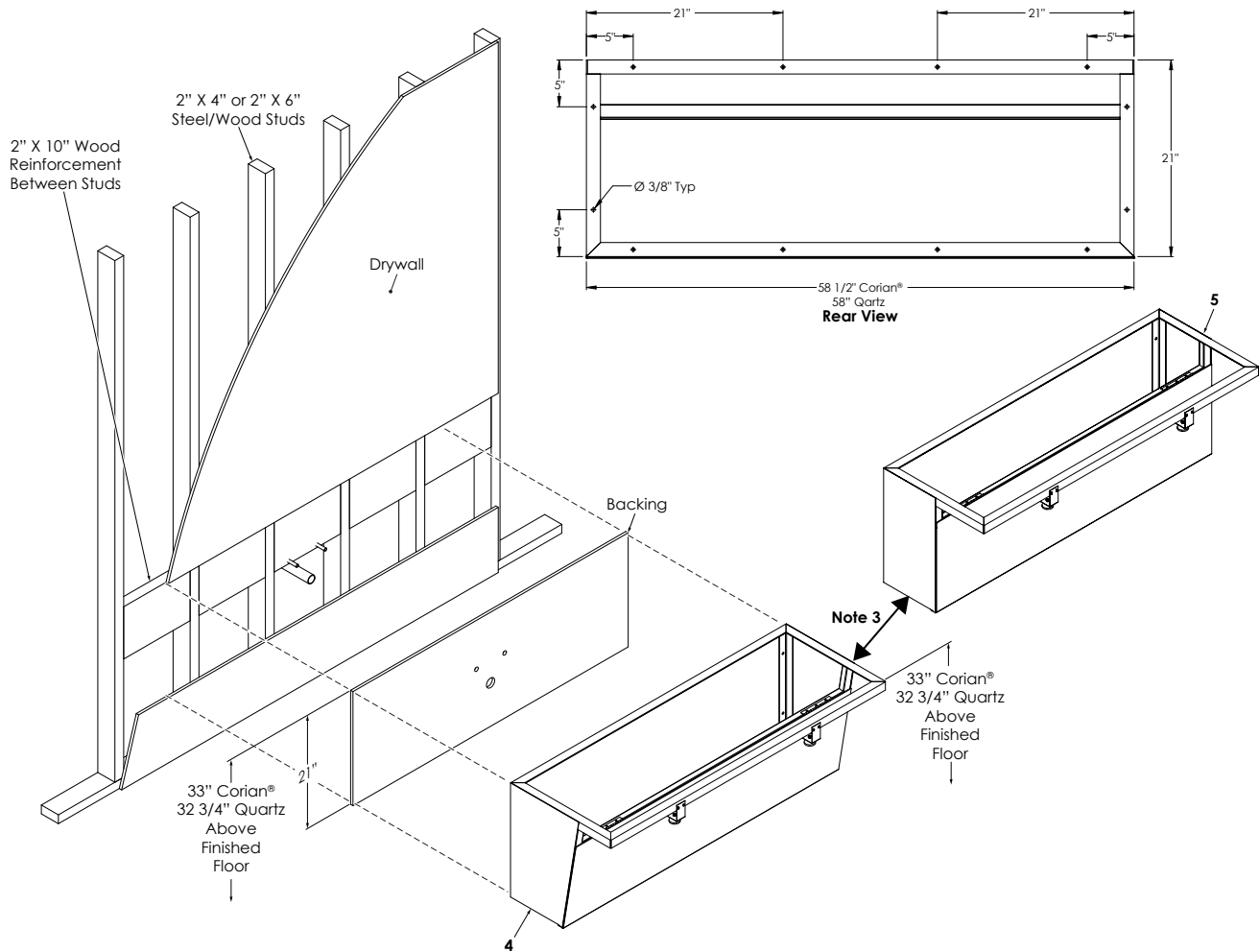
**Note:** Backing supplied by others to meet local codes.

  - a. If drywall is present, refer to rough-in, Figure 8, and cut out drywall window to the outer dimension of the side brackets at 10" high, 33" Corian®, 32 3/4" Quartz, above finished floor.
  - b. Remove drywall window.
  - c. Pre-drill/cut holes for plumbing and electrical as required.
  - d. Install backing into cutout drywall window.
2. Mount the Side Brackets (2, Figure 10) and Middle Brackets (3) to the backing. Ensure that Side Brackets (2) and Middle Brackets (3) are level and the proper distance from the floor.
 

**Note:** Anchor side brackets to wall using 1,000 lb pull out mounting fasteners for 3/8" holes (not supplied).

  - a. Using mounting fasteners (Not supplied) secure Side Brackets (2) and Middle Brackets (3) onto backing, make sure that the top of Side Brackets (2) and Middle Brackets (3) are 33 inches (Corian®), 32 3/4" (Quartz), above finished floor. (ADA specifications)

## Backing and Enclosure Installation (Two Station)



### Notes:

1. Due to manufacturer tolerances, all dimensions are for reference only.
2. Enclosure must be shimmed to wall to ensure proper leveling and straightness.
3. Angled Enclosure and Vertical Enclosure are installed the same.

Figure 11

3. Install Backing (Figure 11) onto wall studs.

**Note:** Backing supplied by others to meet local codes.

- a. If drywall is present, refer to rough-in, Figure 9, measure outer dimensions of Enclosure (4 / 5) and cut out drywall window.
- b. Remove drywall window.
- c. Pre-drill/cut holes for plumbing and electrical.
- d. Install backing into cutout drywall window.

4. Refer to the template in (Figure 11), mount the Enclosure (4 / 5) to the backing. Ensure that Enclosure (4 / 5) is level and the proper distance from the floor.

**Note:** Anchor enclosure to wall using 1,000 lb pull out mounting fasteners for 3/8" holes (not supplied).

- a. Using mounting fasteners secure Enclosure (4 / 5) onto backing, making sure that the top of Enclosure (2) is 33 inches (Corian®), 32 3/4 inches (Quartz) above finished floor. (ADA specifications)

## Faucet and Soap Installation (Two Station)

### Notes:

- For ease of deck installation, leave the deck lying on its front (if no bag hooks are installed) or lying on its back and install component spouts.
- Components shown for reference only.
- Install Faucet, Soap Dispenser spouts and grid strainer.

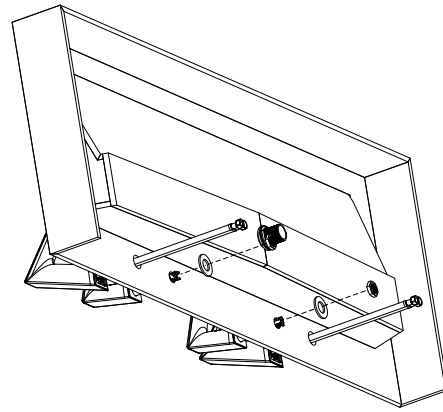


Figure 12

5. Install Faucet and Soap spouts, (Figure 12) onto sink according to manufacturer's instructions provided with component.

## Sink Installation (Two Station); Bracket

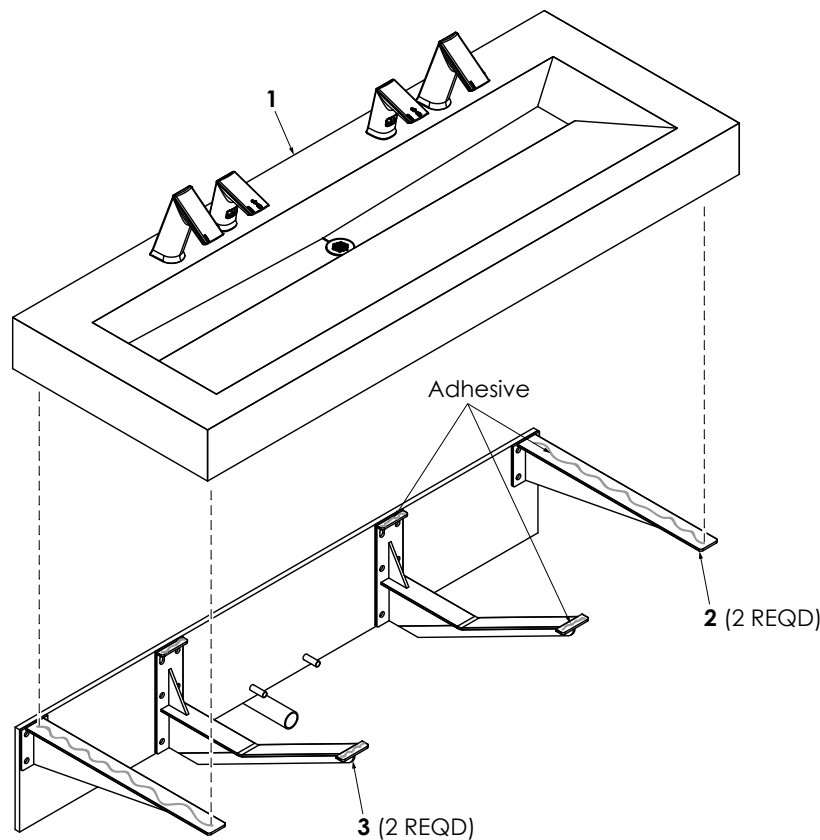
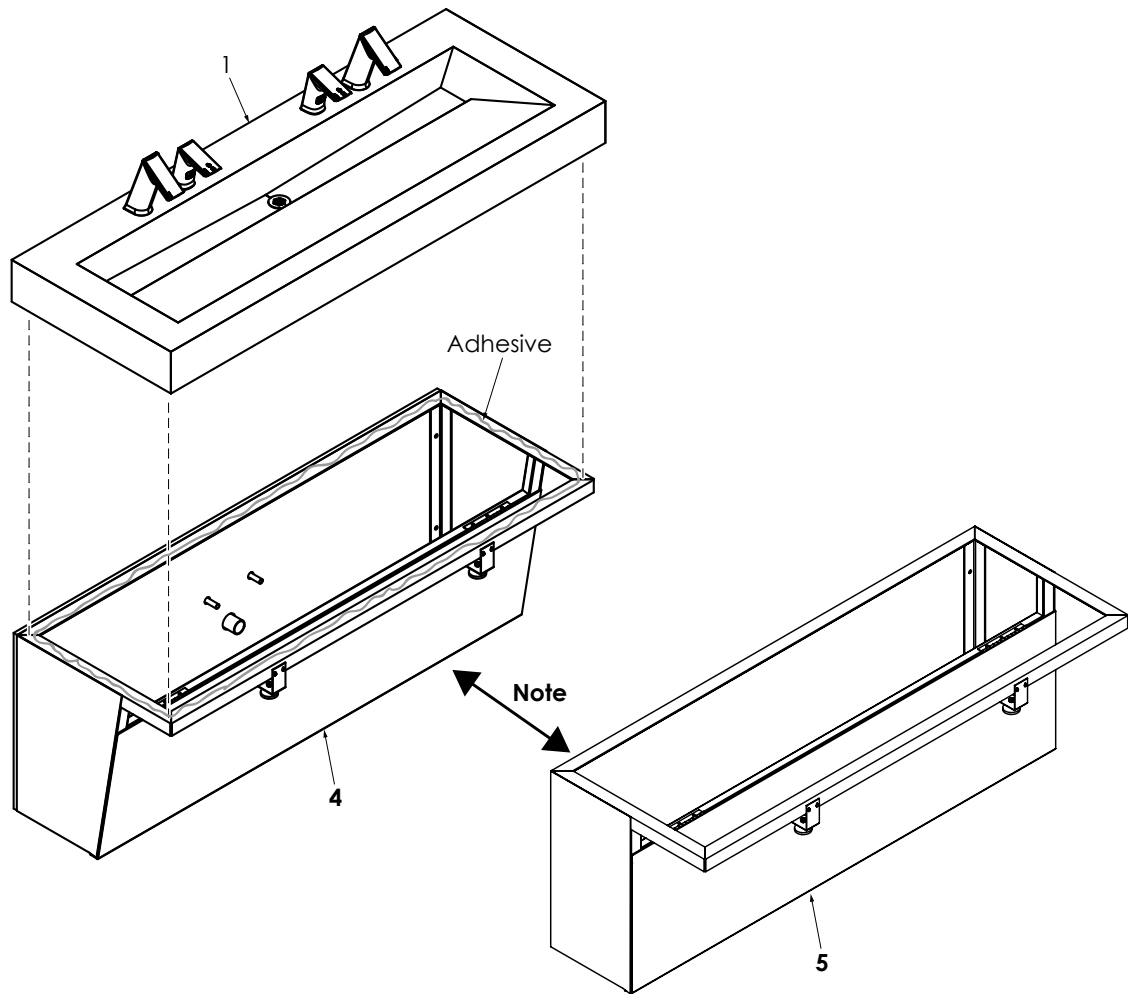


Figure 13

6. Install Deck (1, Figure 13) onto Side Brackets (2) and Middle Brackets (3).

**Note:** Back of Deck (1) may require scribing to finished wall.

- a. Apply adhesive (not supplied) to the top of Side Brackets (2) and Middle Brackets (3).
- b. Lower Deck (1) onto Side Brackets (2) and Middle Bracket (3). Shim all gaps between Side Brackets (2), Middle Brackets (3) and Deck (1).
- c. Install all water connections and drain lines.



**Note:** Angled Enclosure and Vertical Enclosure, sink installation is the same.

Figure 14

7. Install Deck (1, Figure 14) onto Enclosure (4 / 5).

**Note:** Back of Deck (1) may require scribing to finished wall.

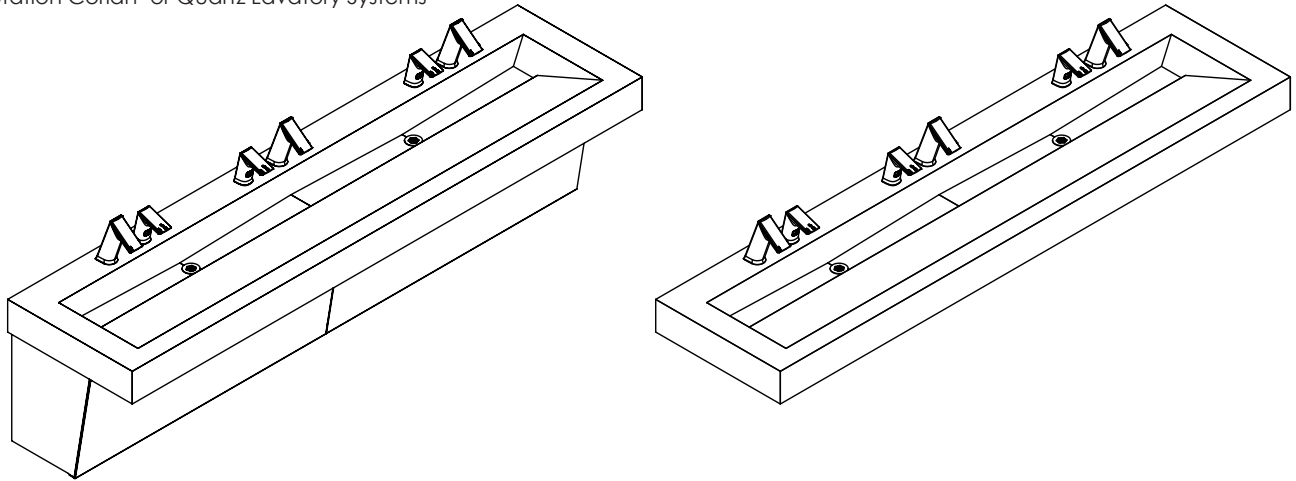
- a. Apply adhesive (not supplied) to the top of Enclosure (4 / 5).
- b. Lower Deck (1) onto Enclosure (4 / 5). Shim all gaps between Enclosure (4 / 5) and Deck (1).
- c. Install all water connections and drain lines.

---

**End of DSG-82000 Installation Instructions**

# DSG-83000

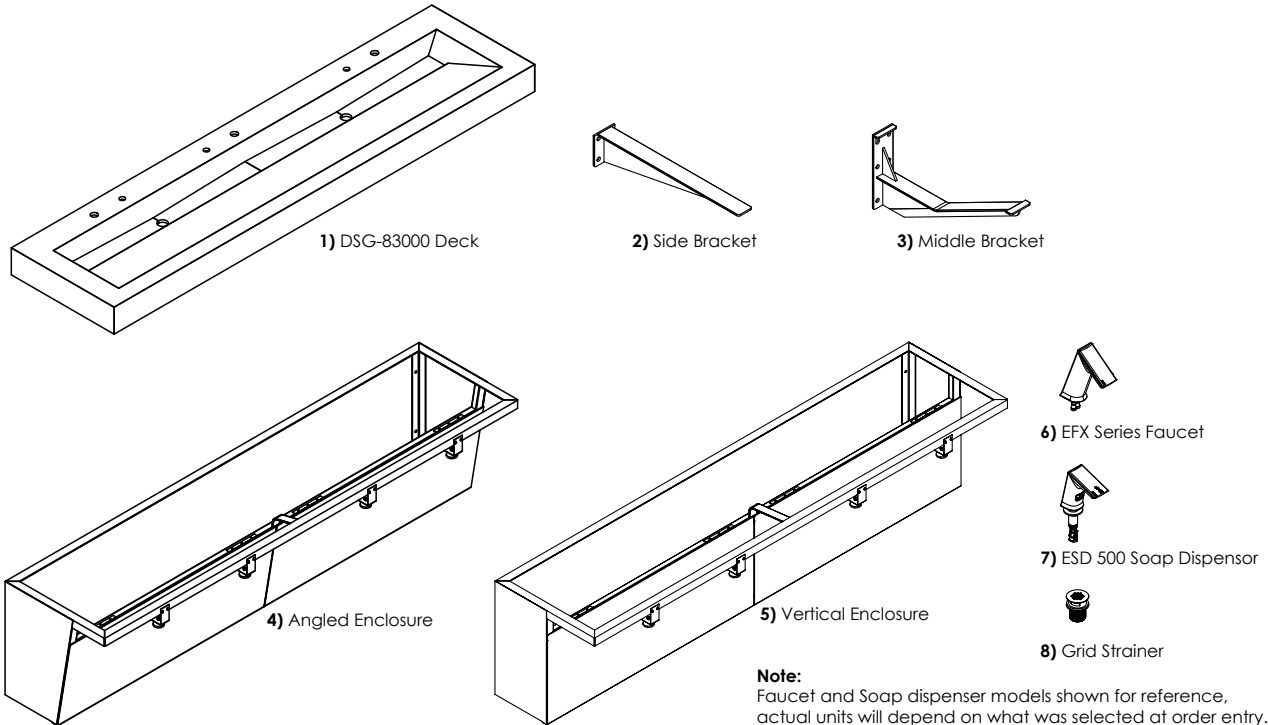
Three Station Corian® or Quartz Lavatory Systems



## Sink Location

Determine the appropriate wall location for the Lavatory System. Consider that hot and cold water supply lines, a drain line, and an electrical source (receptacle for hardwired faucets and hand dryer) will be required. Compare the physical dimensions of the Lavatory System to the space available for the installation. If wall is not load bearing, a carrier may be required behind the wall. Refer to the appropriate Rough-in diagrams for Lavatory System dimensions. Prior to Lavatory System installation, electric wiring, water supply and drain must be installed.

## DSG-83000, Three Station Components

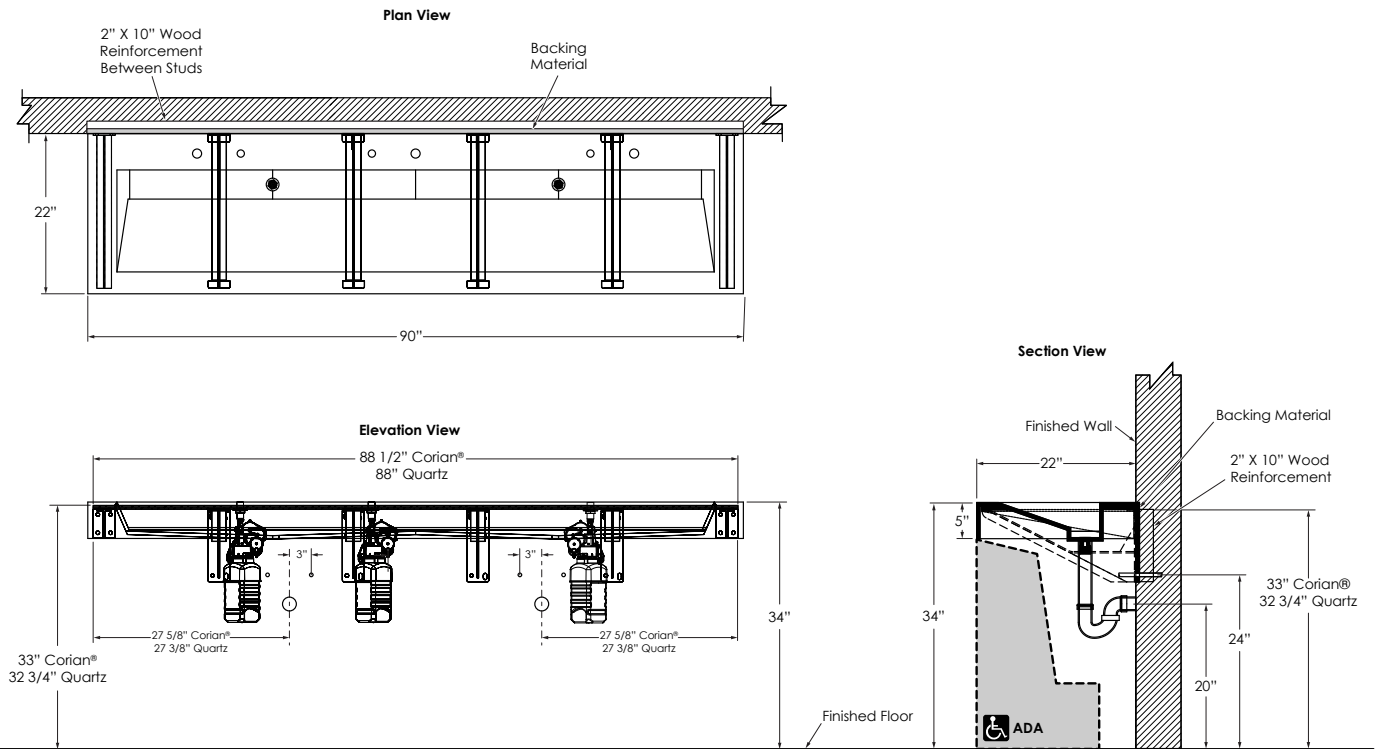


## DSG-83000, Three Station Component List

Description	Item Number	Quantity
Designer Series Gradient, Three Station, Deck	1	1
Side Bracket (Mounting Option)	2	2
Middle Bracket (Mounting Option, not required for single station)	3	4
Angled Enclosure with Hold Open Door (Mounting Option)	4	1
Vertical Enclosure with Hold Open Door (Mounting Option)	5	1
EFX Series Faucet	6	3
Basys Style ESD 500 Soap Dispenser <b>Note:</b> If ESD-500 Selected – Area under the sink must be clear for proper installation access and soap bottle change (no outlets, stops, etc).	7	3
Grid Strainer	8	2



# Rough-In (Three Station); Bracket Mounting Option

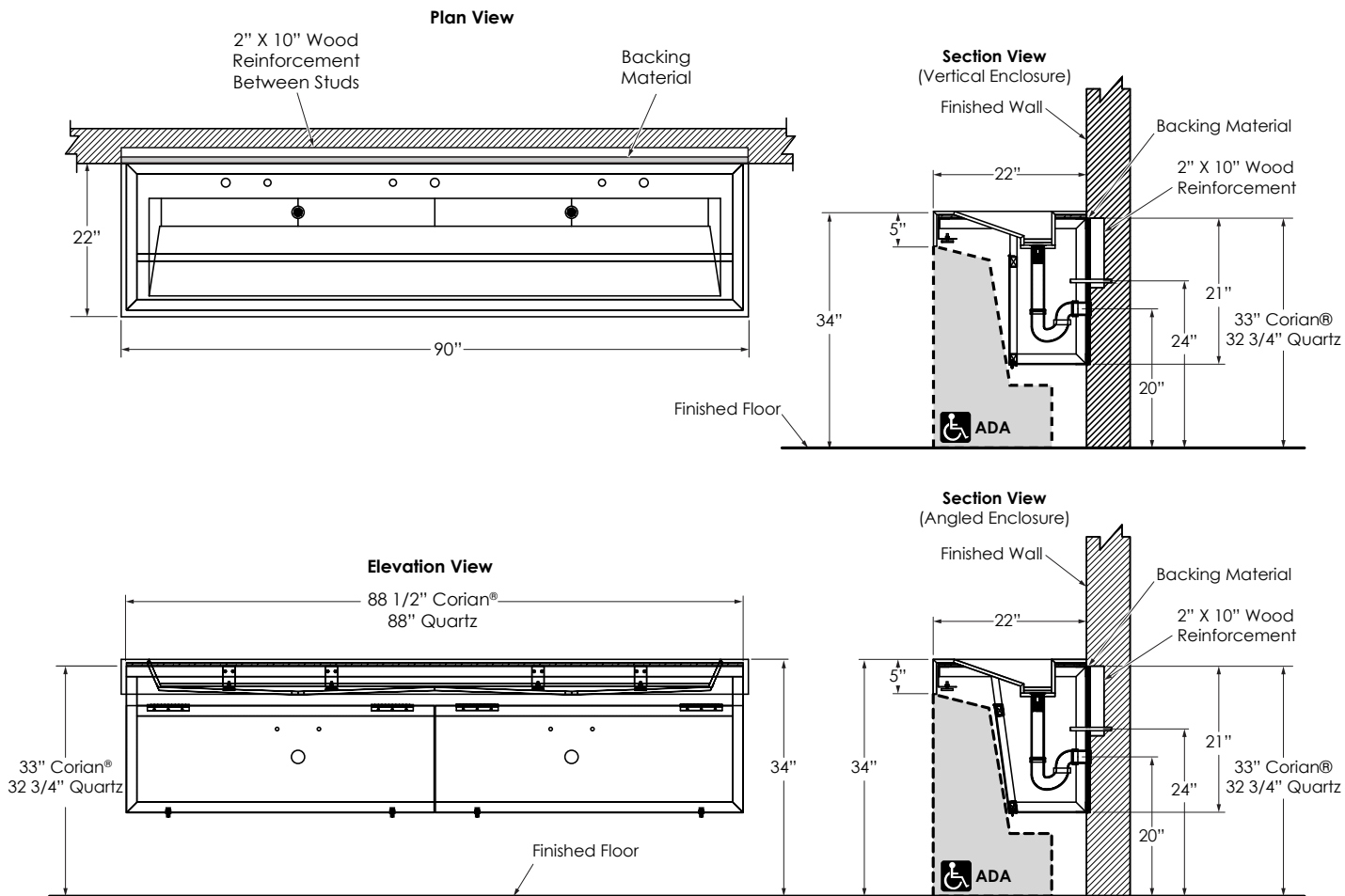


**Notes:**

1. Backing material should equal thickness of drywall, 1/2" min.
2. Mount brackets to allow clearance for plumbing, optimal spacing between all brackets is 18" ± 3".
3. Position the ESD 500 pump assembly as shown.

Figure 15

# Rough-In (Three Station); Enclosure Mounting Option

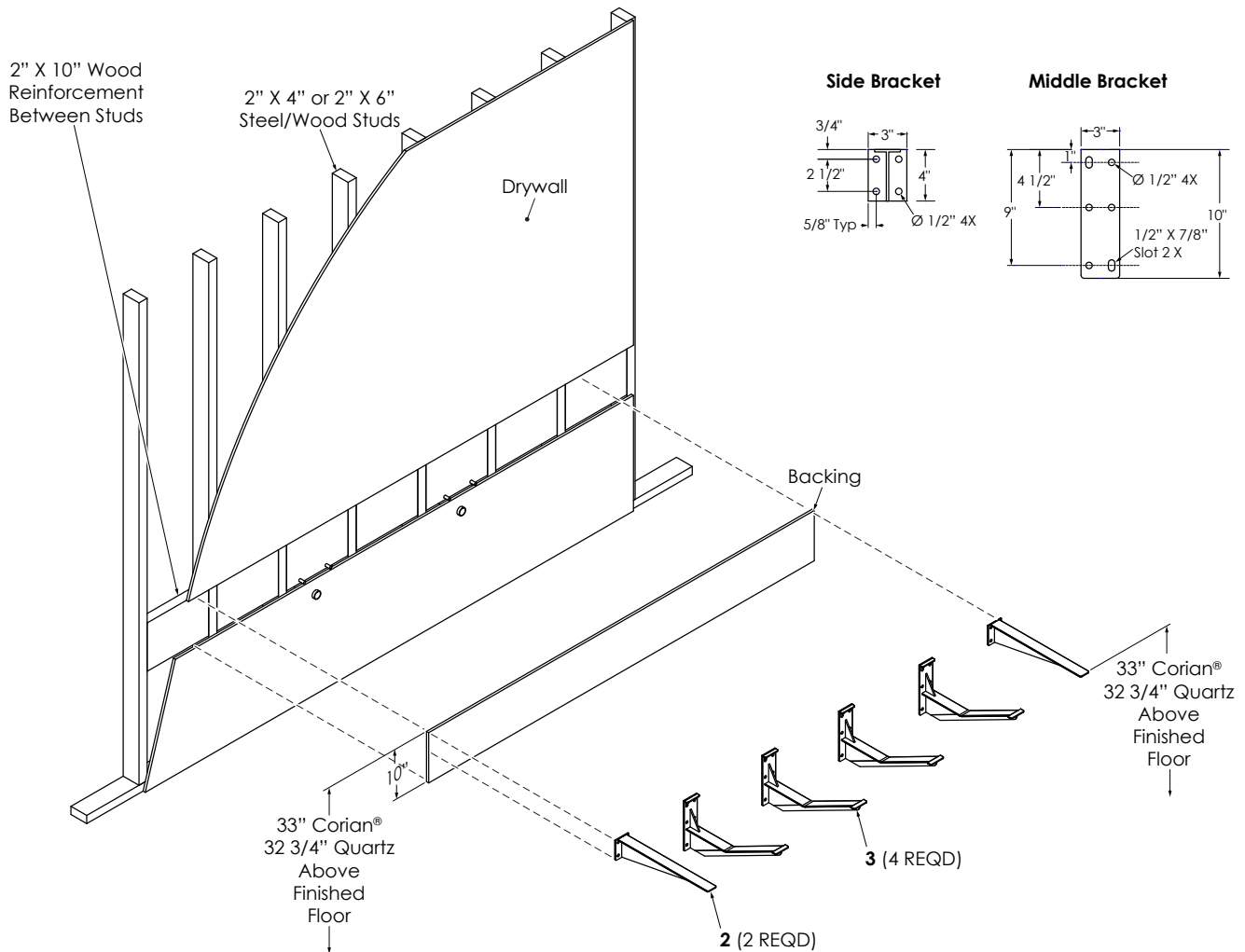


**Notes:**

1. Backing material should equal thickness of drywall, 1/2" min.
2. Mount brackets to allow clearance for plumbing, optimal spacing between all brackets is 18" ± 3".
3. Position the ESD 500 pump assembly as shown.

Figure 16

## Backing and Bracket Installation (Three Station)



### Notes:

1. Due to manufacturer tolerances, all dimensions are for reference only.
2. Mount brackets to allow clearance for plumbing, optimal spacing between all brackets is  $18" \pm 3"$ .

Figure 17

1. Install Backing (Figure 17) onto wall studs.
 

**Note:** Backing supplied by others to meet local codes.

  - a. If drywall is present, refer to rough-in, Figure 15, and cut out drywall window to the outer dimension of the side brackets at 10" high, 33" Corian®, 32 3/4" Quartz, above finished floor.
  - b. Remove drywall window.
  - c. Pre-drill/cut holes for plumbing and electrical as required.
  - d. Install backing into cutout drywall window.
  
2. Mount the Side Brackets (2, Figure 17) and Middle Brackets (3) to the backing. Ensure that Side Brackets (2) and Middle Brackets (3) are level and the proper distance from the floor.
 

**Note:** Anchor side brackets to wall using 1,000 lb pull out mounting fasteners for 3/8" holes (not supplied).

  - a. Using mounting fasteners (Not supplied) secure Side Brackets (2) and Middle Brackets (3) onto backing, make sure that the top of Side Brackets (2) and Middle Brackets (3) are 33 inches (Corian®), 32 3/4" (Quartz), above finished floor. (ADA specifications)

## Backing and Enclosure Installation (Three Station)

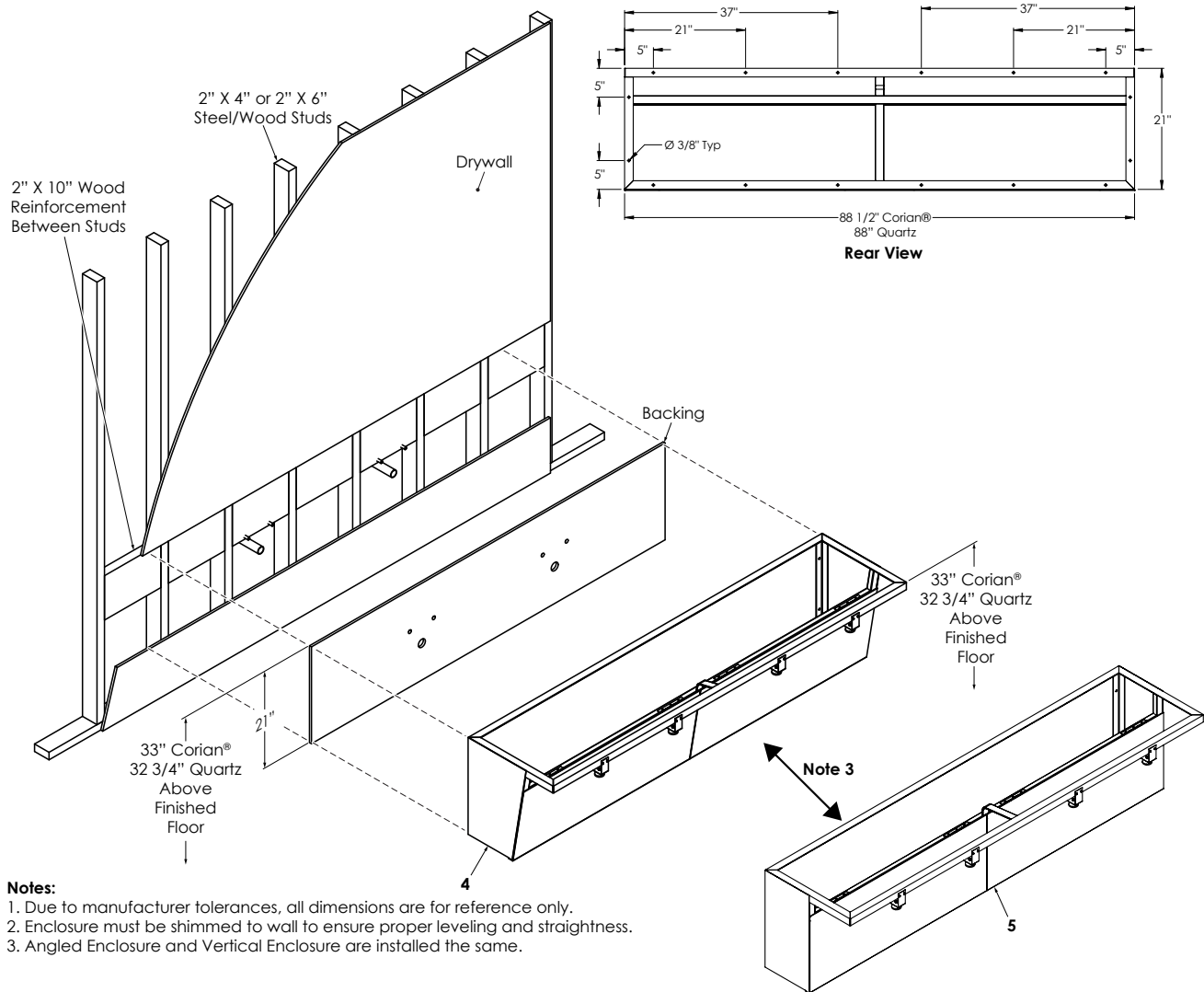


Figure 18

3. Install Backing (Figure 18) onto wall studs.

**Note:** Backing supplied by others to meet local codes.

- a. If drywall is present, refer to rough-in, Figure 16, measure outer dimensions of Enclosure (4 / 5) and cut out drywall window.
- b. Remove drywall window.
- c. Pre-drill/cut holes for plumbing and electrical.
- d. Install backing into cutout drywall window.

4. Refer to the template in (Figure 18), mount the Enclosure (4 / 5) to the backing. Ensure that Enclosure (4 / 5) is level and the proper distance from the floor.

**Note:** Anchor enclosure to wall using 1,000 lb pull out mounting fasteners for 3/8" holes (not supplied).

- a. Using mounting fasteners secure Enclosure (4 / 5) onto backing, making sure that the top of Enclosure (2) is 33 inches (Corian®), 32 3/4 inches (Quartz) above finished floor. (ADA specifications)

## Faucet and Soap Installation (Three Station)

### Notes:

- For ease of deck installation, leave the deck lying on its front (if no bag hooks are installed) or lying on its back and install component spouts.
- Components shown for reference only.
- Install Faucet, Soap Dispenser spouts and grid strainer.

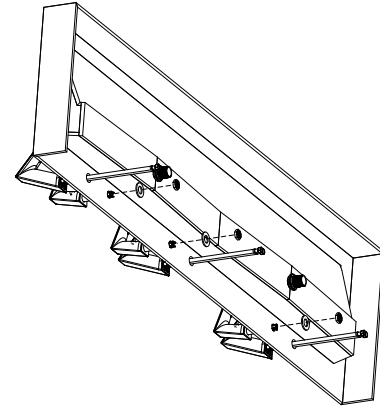


Figure 19

5. Install Faucet and Soap spouts, (Figure 19) onto sink according to manufacturer's instructions provided with component.

## Sink Installation (Three Station); Bracket

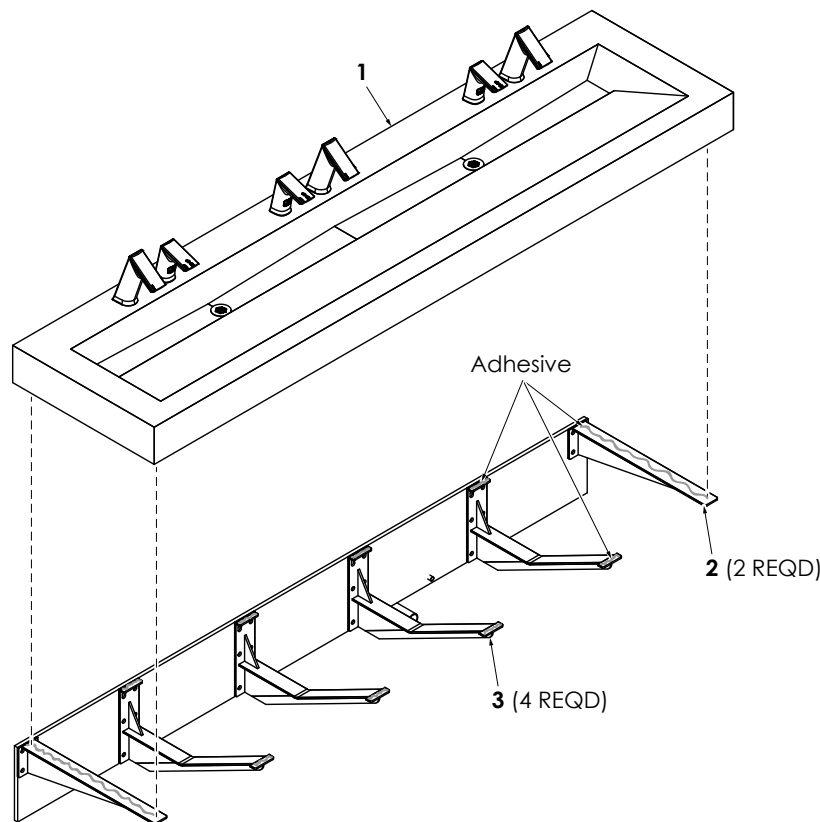
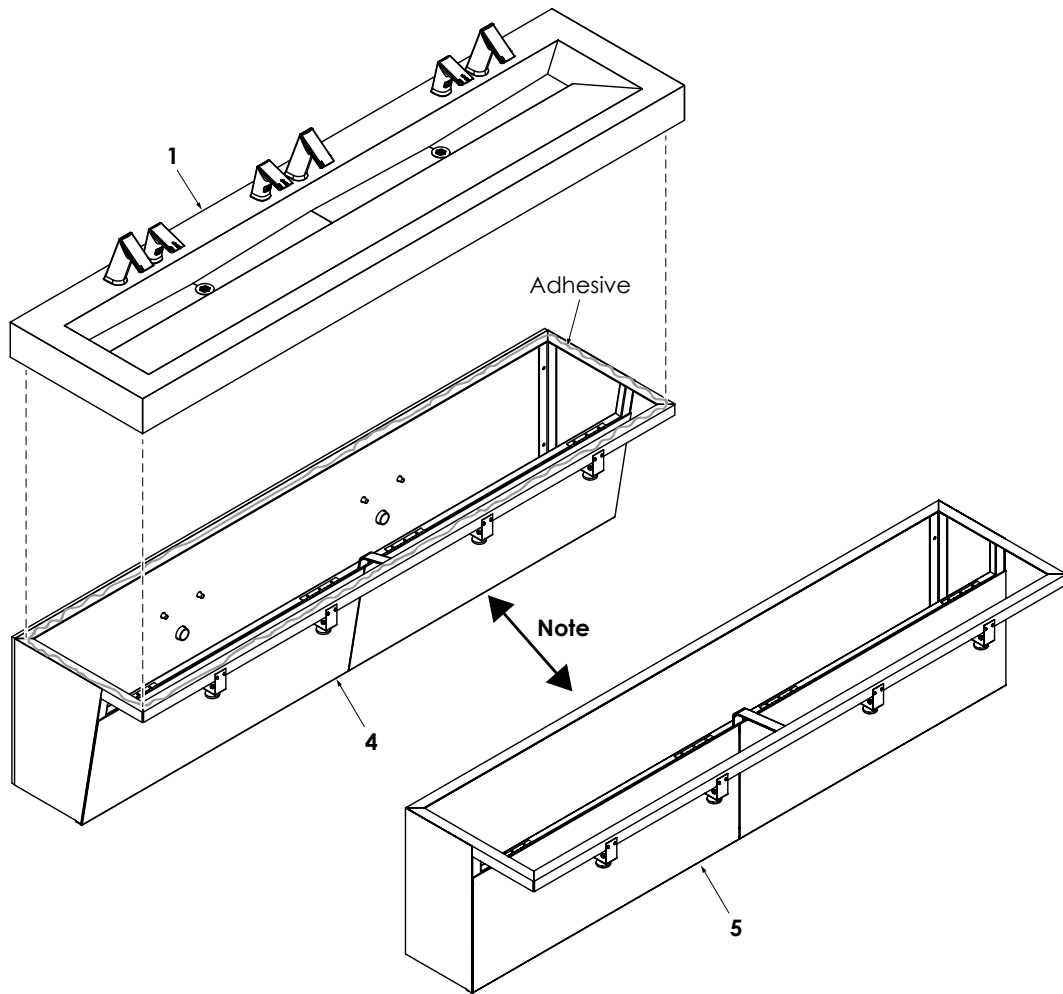


Figure 20

6. Install Deck (1, Figure 20) onto Side Brackets (2) and Middle Brackets (3).

**Note:** Back of Deck (1) may require scribing to finished wall.

- a. Apply adhesive (not supplied) to the top of Side Brackets (2) and Middle Brackets (3).
- b. Lower Deck (1) onto Side Brackets (2) and Middle Bracket (3). Shim all gaps between Side Brackets (2), Middle Brackets (3) and Deck (1).
- c. Install all water connections and drain lines.



**Note:** Angled Enclosure and Vertical Enclosure, sink installation is the same.

Figure 21

7. Install Deck (1, Figure 21) onto Enclosure (4 / 5).

**Note:** Back of Deck (1) may require scribing to finished wall.

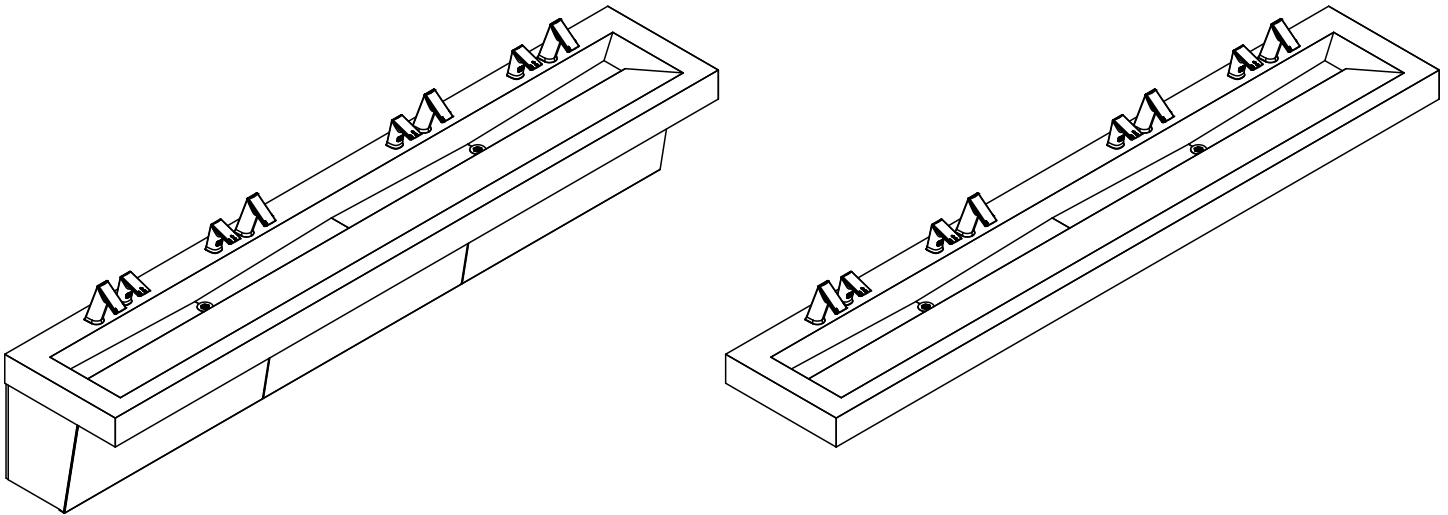
- a. Apply adhesive (not supplied) to the top of Enclosure (4 / 5).
- b. Lower Deck (1) onto Enclosure (4 / 5). Shim all gaps between Enclosure (4 / 5) and Deck (1).
- c. Install all water connections and drain lines.

---

**End of DSG-83000 Installation Instructions**

# DSG-84000

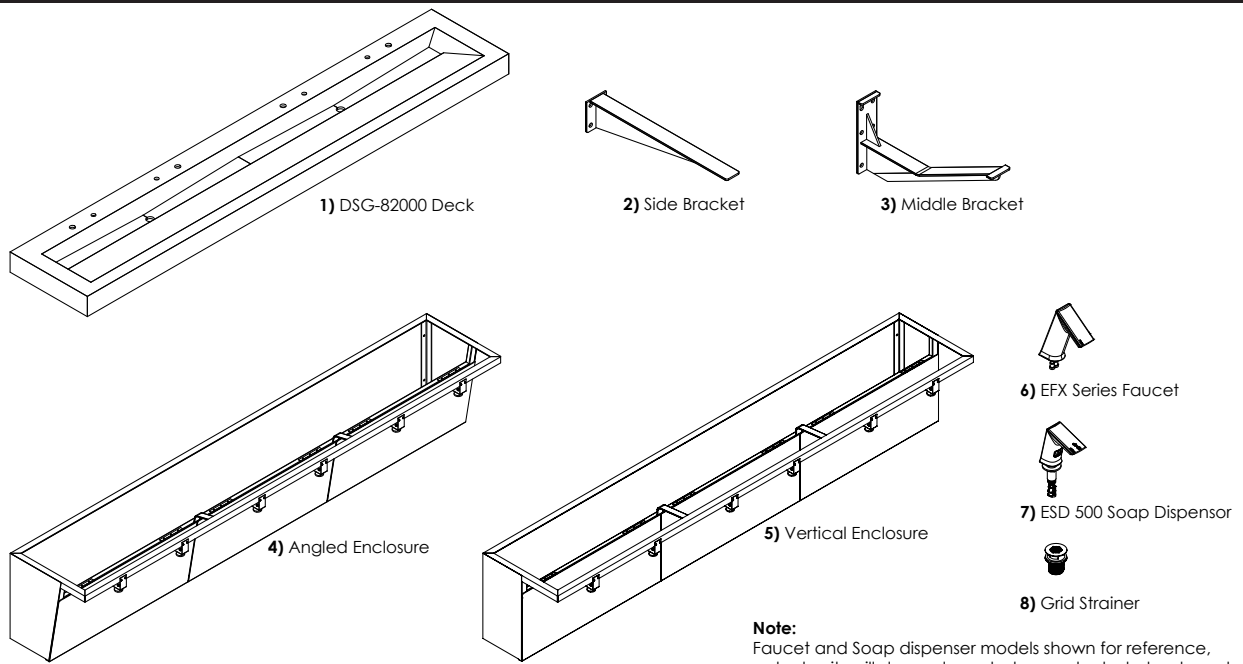
Four Station Corian® or Quartz Lavatory Systems



## Sink Location

Determine the appropriate wall location for the Lavatory System. Consider that hot and cold water supply lines, a drain line, and an electrical source (receptacle for hardwired faucets and hand dryer) will be required. Compare the physical dimensions of the Lavatory System to the space available for the installation. If wall is not load bearing, a carrier may be required behind the wall. Refer to the appropriate Rough-in diagrams for Lavatory System dimensions. Prior to Lavatory System installation, electric wiring, water supply and drain must be installed.

## DSG-84000, Four Station Components

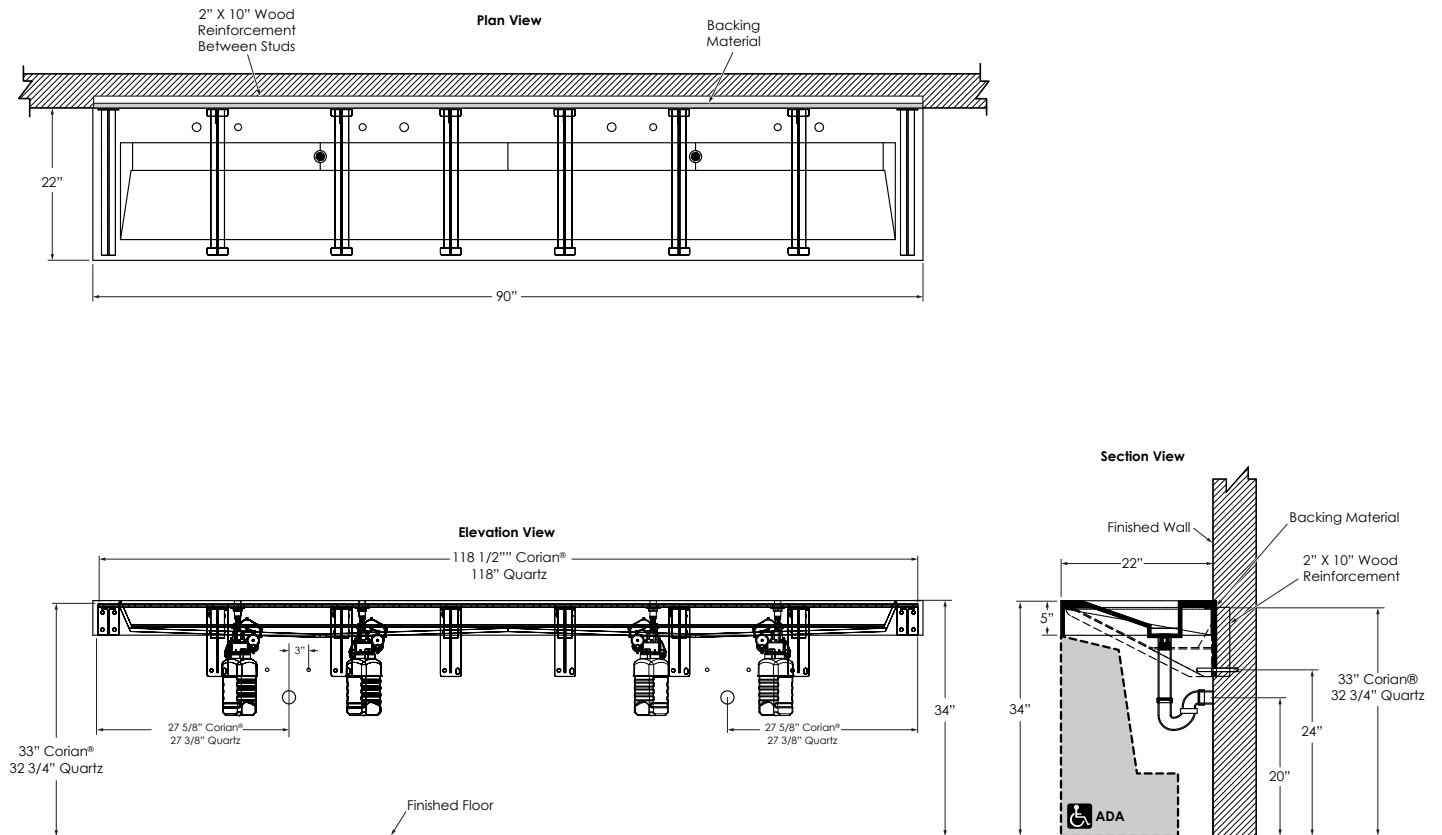


**Note:**  
Faucet and Soap dispenser models shown for reference, actual units will depend on what was selected at order entry.

## DSG-84000, Four Station Component List

Description	Item Number	Quantity
Designer Series Gradient, Four Station, Deck	1	1
Side Bracket (Mounting Option)	2	2
Middle Bracket (Mounting Option, not required for single station)	3	6
Angled Enclosure with Hold Open Door (Mounting Option)	4	1
Vertical Enclosure with Hold Open Door (Mounting Option)	5	1
EFX Series Faucet	6	4
Basys Style ESD 500 Soap Dispenser <b>Note:</b> If ESD-500 Selected – Area under the sink must be clear for proper installation access and soap bottle change (no outlets, stops, etc).	7	4
Grid Strainer	8	2

# Rough-In (Four Station): Bracket Mounting Option



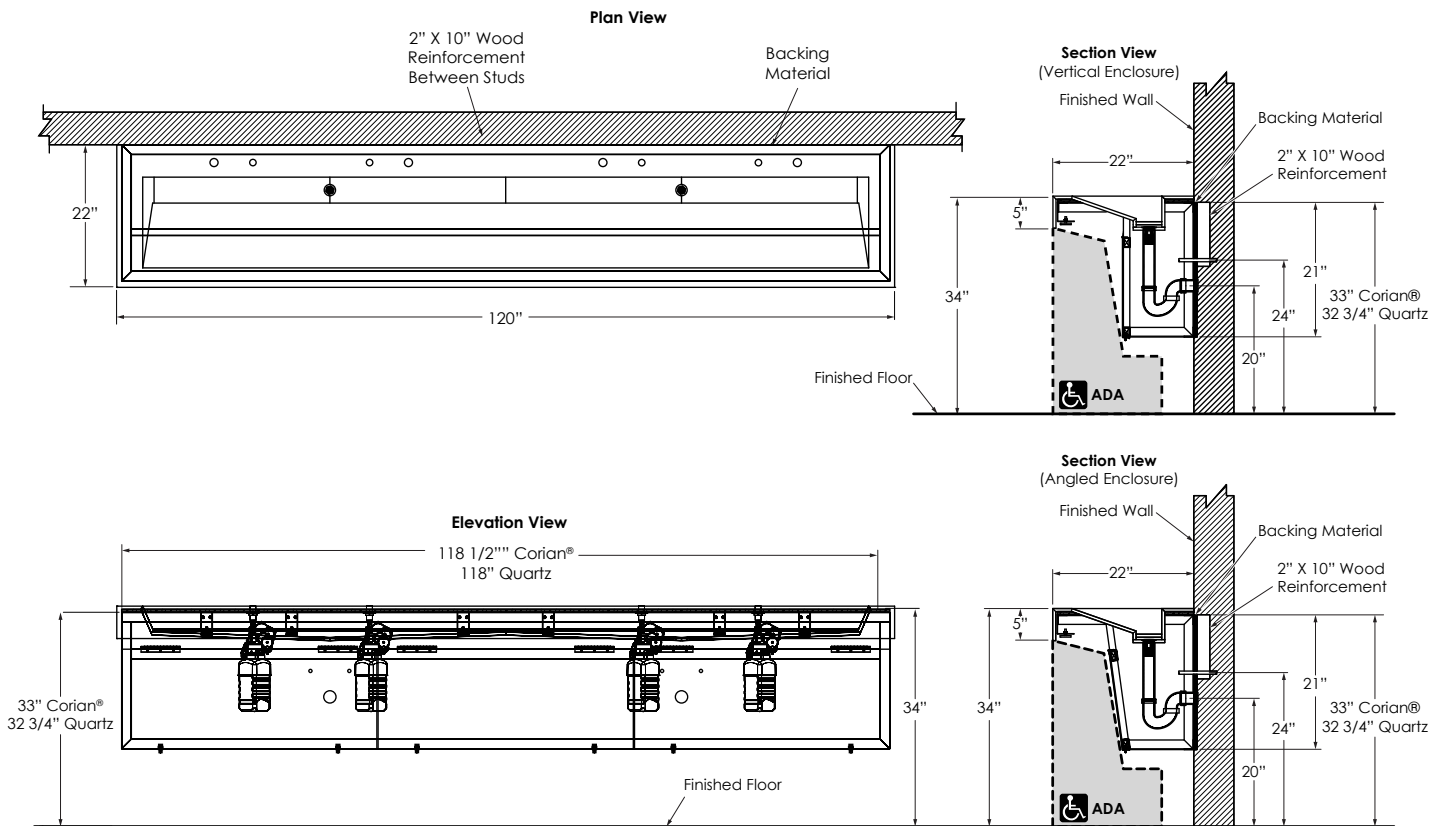
**Notes:**

1. Backing material should equal thickness of drywall, 1/2" min.
2. Mount brackets to allow clearance for plumbing, optimal spacing between all brackets is 18" ± 3".
3. Position the ESD 500 pump assembly as shown.

Figure 22



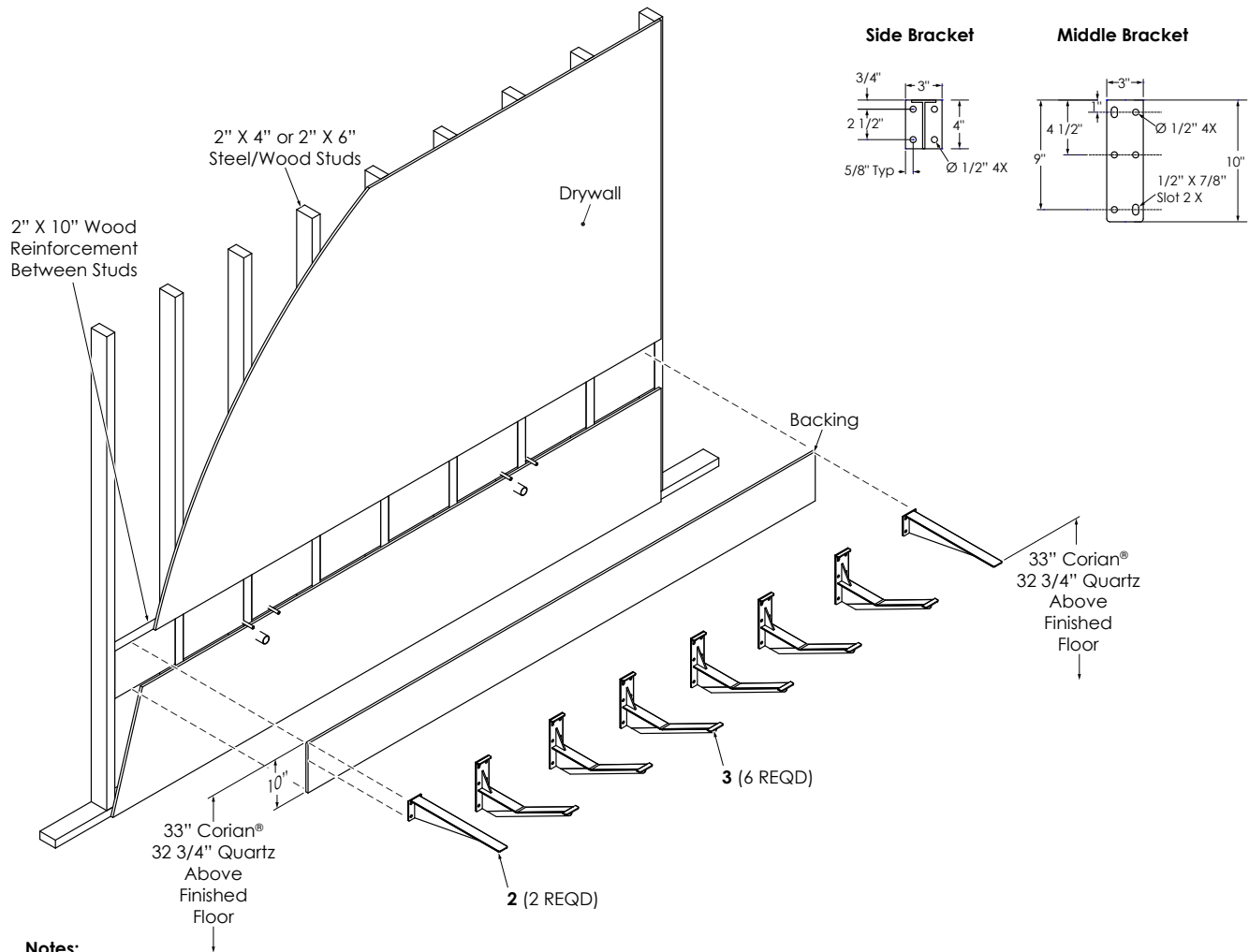
# Rough-In (Four Station); Enclosure Mounting Option



- Notes:**
1. Backing material should equal thickness of drywall, 1/2" min.
  2. Mount brackets to allow clearance for plumbing, optimal spacing between all brackets is 18" ± 3".
  3. Position the ESD 500 pump assembly as shown.

Figure 23

## Backing and Bracket Installation (Four Station)



### Notes:

1. Due to manufacturer tolerances, all dimensions are for reference only.
2. Mount brackets to allow clearance for plumbing, optimal spacing between all brackets is  $18" \pm 3"$ .

Figure 24

1. Install Backing (Figure 24) onto wall studs.
 

**Note:** Backing supplied by others to meet local codes.

  - a. If drywall is present, refer to rough-in, Figure 15, and cut out drywall window to the outer dimension of the side brackets at 10" high, 33" Corian®, 32 3/4" Quartz, above finished floor.
  - b. Remove drywall window.
  - c. Pre-drill/cut holes for plumbing and electrical as required.
  - d. Install backing into cutout drywall window.
2. Mount the Side Brackets (2, Figure 22) and Middle Brackets (3) to the backing. Ensure that Side Brackets (2) and Middle Brackets (3) are level and the proper distance from the floor.
 

**Note:** Anchor side brackets to wall using 1,000 lb pull out mounting fasteners for 3/8" holes (not supplied).

  - a. Using mounting fasteners (Not supplied) secure Side Brackets (2) and Middle Brackets (3) onto backing, make sure that the top of Side Brackets (2) and Middle Brackets (3) are 33 inches (Corian®), 32 3/4" (Quartz), above finished floor. (ADA specifications)

## Backing and Enclosure Installation (Four Station)

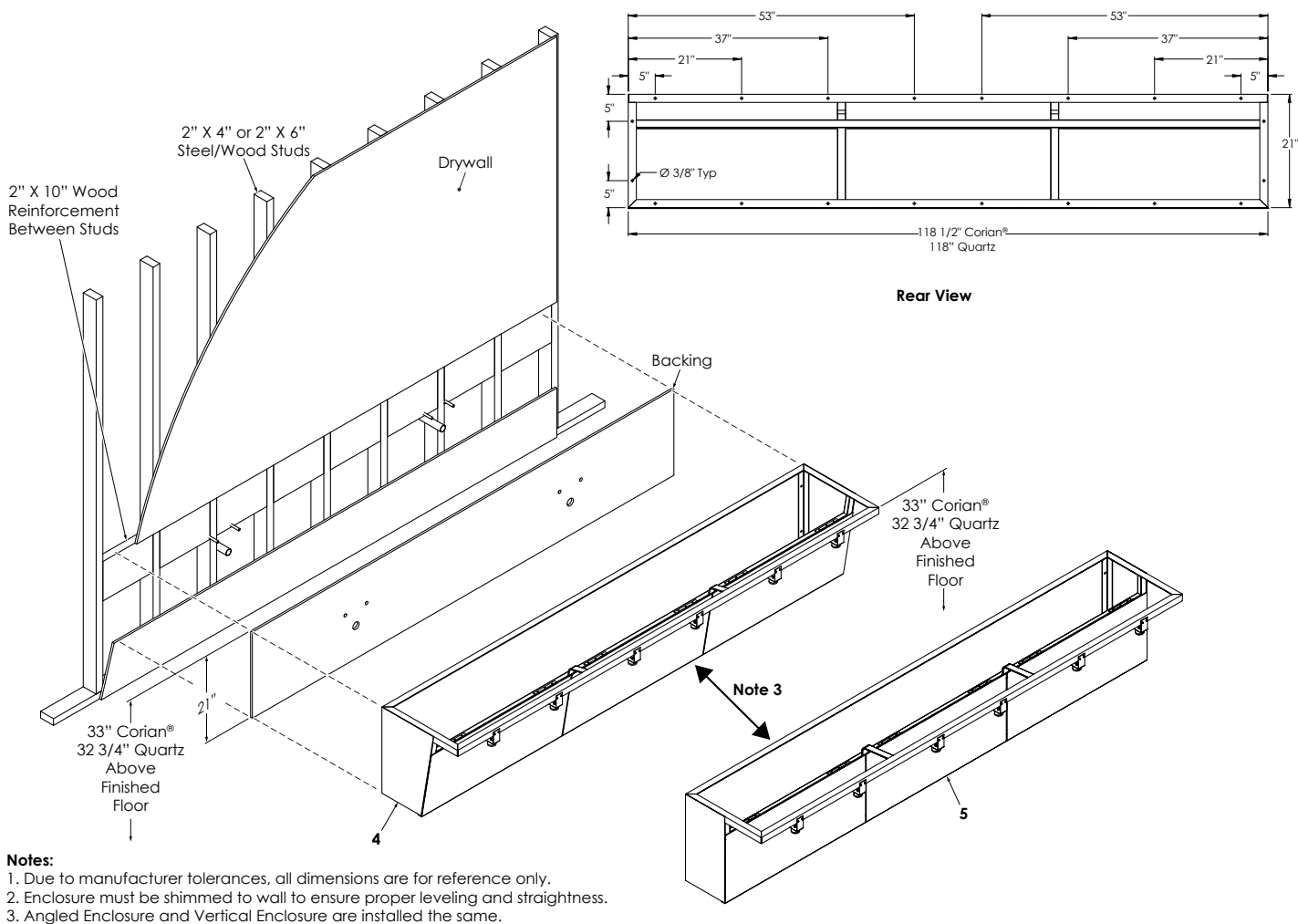


Figure 25

3. Install Backing (Figure 25) onto wall studs.
 

**Note:** Backing supplied by others to meet local codes.

  - a. If drywall is present, refer to rough-in, Figure 16, measure outer dimensions of Enclosure (4 / 5) and cut out drywall window.
  - b. Remove drywall window.
  - c. Pre-drill/cut holes for plumbing and electrical.
  - d. Install backing into cutout drywall window.
  
4. Refer to the template in (Figure 25), mount the Enclosure (4 / 5) to the backing. Ensure that Enclosure (4 / 5) is level and the proper distance from the floor.
 

**Note:** Anchor enclosure to wall using 1,000 lb pull out mounting fasteners for 3/8" holes (not supplied).

  - a. Using mounting fasteners secure Enclosure (4 / 5) onto backing, making sure that the top of Enclosure (2) is 33 inches (Corian®), 32 3/4 inches (Quartz) above finished floor. (ADA specifications)

## Faucet and Soap Installation (Four Station)

### Notes:

- For ease of deck installation, leave the deck lying on its front (if no bag hooks are installed) or lying on its back and install component spouts.
- Components shown for reference only.
- Install Faucet, Soap Dispenser spouts and grid strainer.

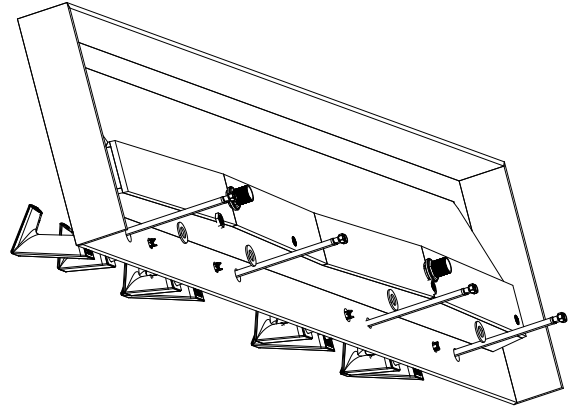


Figure 26

5. Install Faucet and Soap spouts, (Figure 26) onto sink according to manufacturer's instructions provided with component.

## Sink Installation (Four Station); Bracket

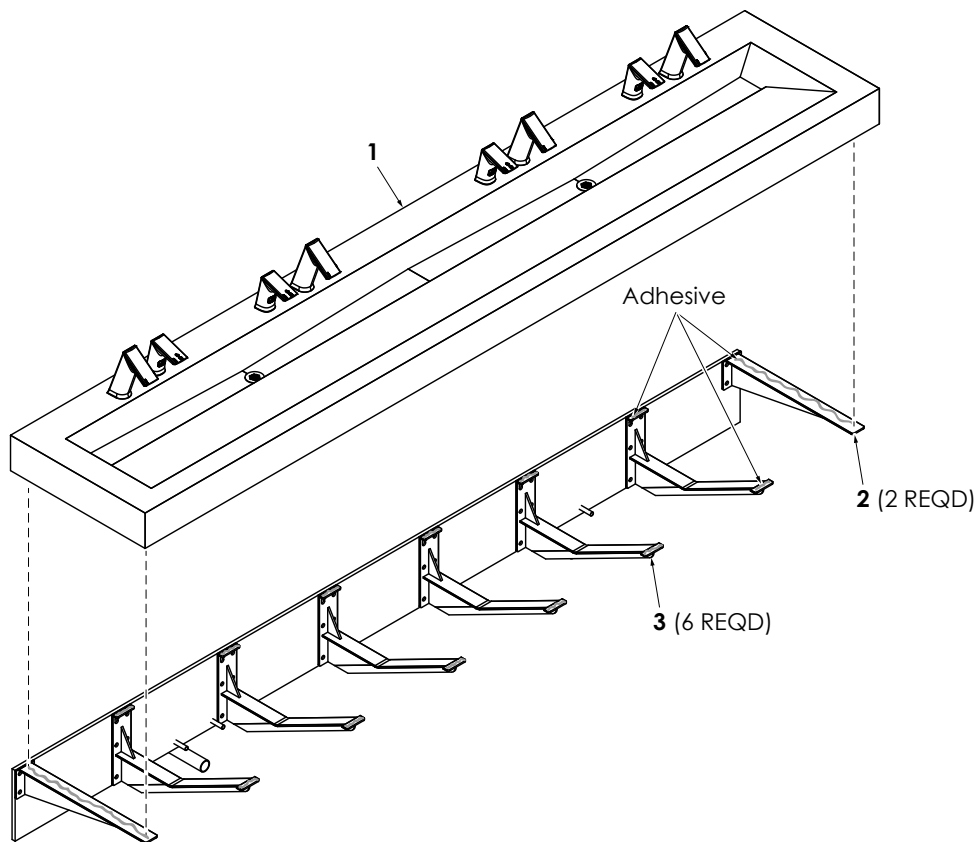
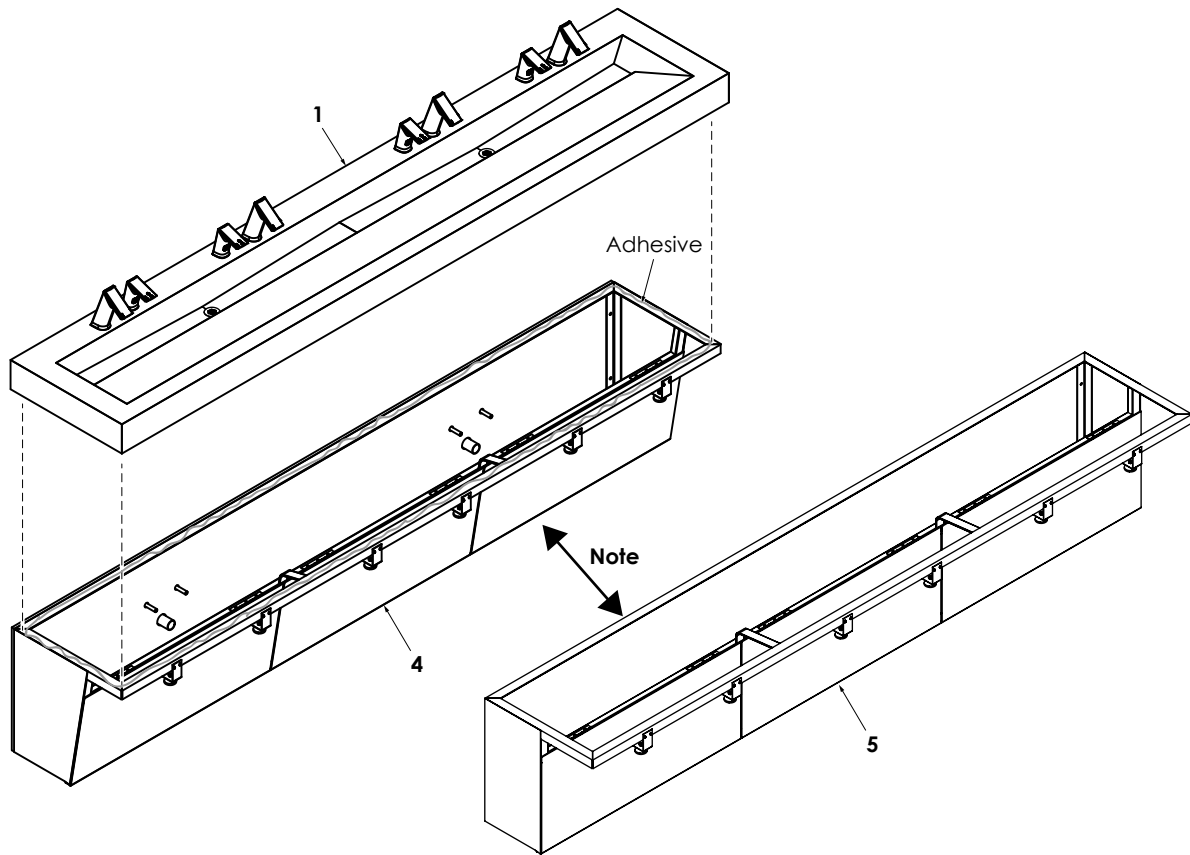


Figure 27

6. Install Deck (1, Figure 27) onto Side Brackets (2) and Middle Brackets (3).  
**Note:** Back of Deck (1) may require scribing to finished wall.
  - a. Apply adhesive (not supplied) to the top of Side Brackets (2) and Middle Brackets (3).
  - b. Lower Deck (1) onto Side Brackets (2) and Middle Bracket (3). Shim all gaps between Side Brackets (2), Middle Brackets (3) and Deck (1).
  - c. Install all water connections and drain lines.

## Sink Installation (Four Station); Enclosure



**Note:** Angled Enclosure and Vertical Enclosure, sink installation is the same.

Figure 28

7. Install Deck (1, Figure 28) onto Enclosure (4 / 5).

**Note:** Back of Deck (1) may require scribing to finished wall.

- a. Apply adhesive (not supplied) to the top of Enclosure (4 / 5).
- b. Lower Deck (1) onto Enclosure (4 / 5). Shim all gaps between Enclosure (4 / 5) and Deck (1).
- c. Install all water connections and drain lines.

---

**End of DSG-83000 Installation Instructions**